

# TIGER

# AVIA

# LEOPARD

IT Istruzioni di montaggio

EN Fitting instructions

DE Montageanleitung

FR Instructions de montage

ES Instrucciones de montaje

BG инструкции за сглобяване

CS Návod na montáž

DA Monteringsvejledning

EL Οδηγίες συναρμολόγησης

ET Paigaldusjuhend

FI Asennusohje

HR Uputa za sastavljanje

HU A felszerelés módja

LT Pritvirtinimo instrukcijos

LV Stiprināšanas instrukcija

NL Instrukcja montażu

NO Monteringsveiledning

PL Instrukcja montażu

PT Instruções de Montagem

RO Instrucțiuni de montare

RU Инструкции по установке

SK Návod na montáž

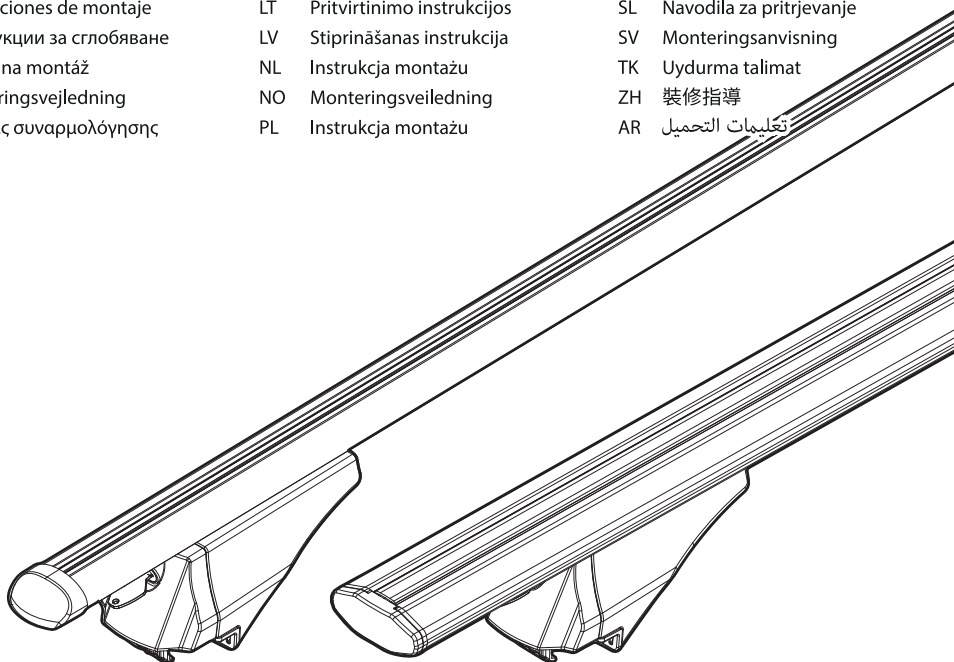
SL Navodila za pritrjevanje

SV Monteringsanvisning

TK Uydurma talimat

ZH 裝修指導

AR تعليمات التجميع









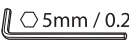


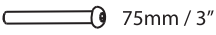
TIGER / AVIA


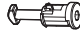



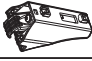




LEOPARD



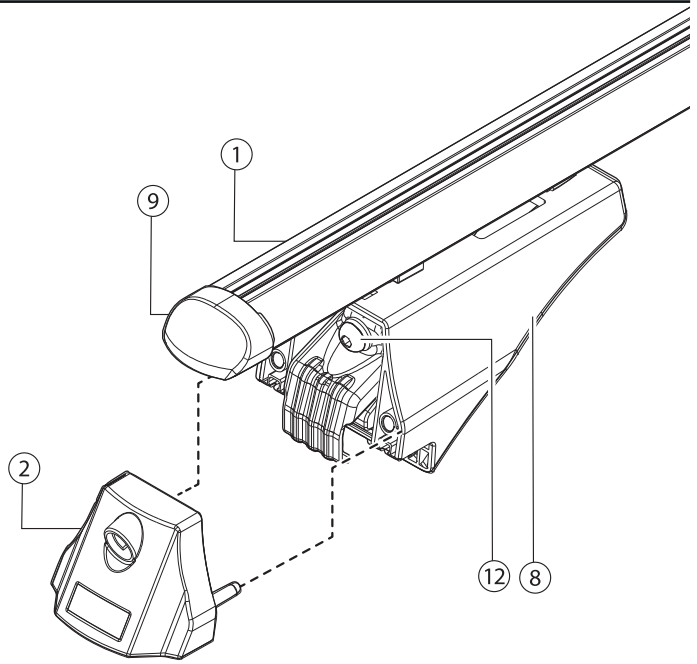
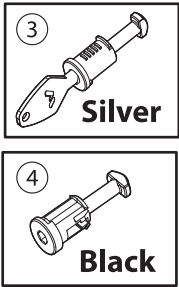
Made in Italy



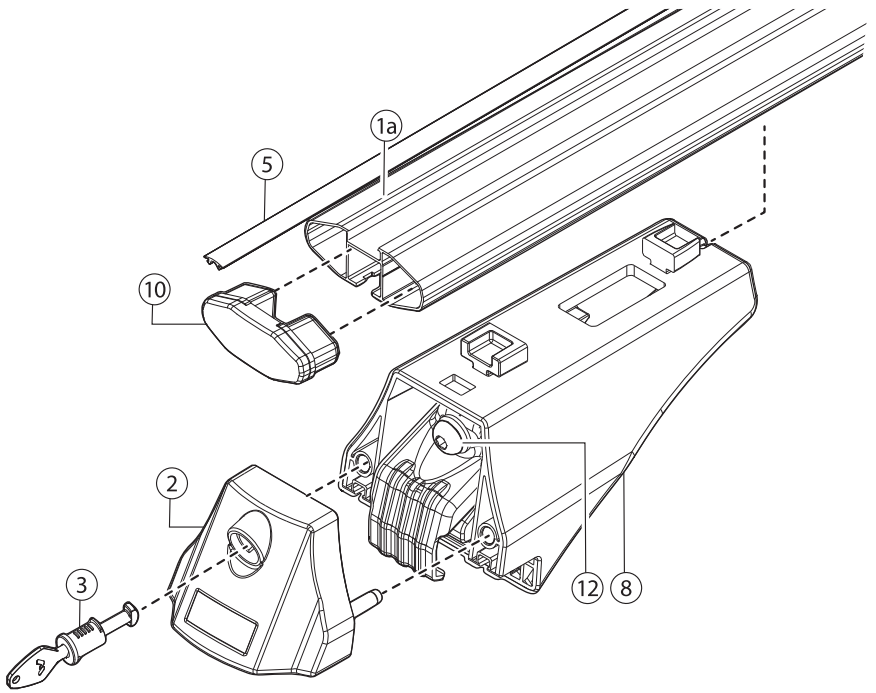
N.	[IT]Componenti (Inclusi) [EN]Components (Included) [FR]Composants (Comprises) [DE]Die Komponenten (im Lieferumfang enthalten) [ES]Componentes (Incluido)	TIGER SILVER	TIGER BLACK	LEOPARD
		AVIA SILVER	AVIA BLACK	
		Q.	Q.	Q.
1		2	2	-
1a		-	-	2
2		4	4	4
3	 xxxx	4	-	4
4		-	4	-
5		2	2	3
6	 5mm / 0.2"	1	1	1
8		-	-	4
10		-	-	4
11	 75mm / 3"	4	4	4

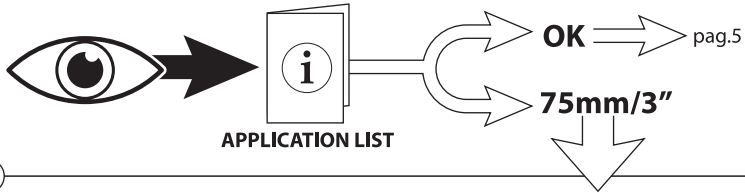
N.	[IT]Ricambi (A Richiesta) [EN]Spare Parts (Made to order) [FR]Pièces de rechange (Sur commande) [DE]E Teile (auf Anfrage) [ES]Piezas de recambio (Previa solicitud)	Q.	Codice-Code-Código
3	 xxxx	4	000084800000
4		4	70 00253 00000
5		2	70 00079 00000
6	 5mm / 0.2"	1	70 00250 00000
7	 xxxx	2	70 00103 00000
8		1	70 00254 00000
9		4	70 00106 00000
10		4	70 00258 00000
11	 75mm / 3"	4	70 00259 00000
12	 90 mm / 3.5"	4	

**TIGER / AVIA**

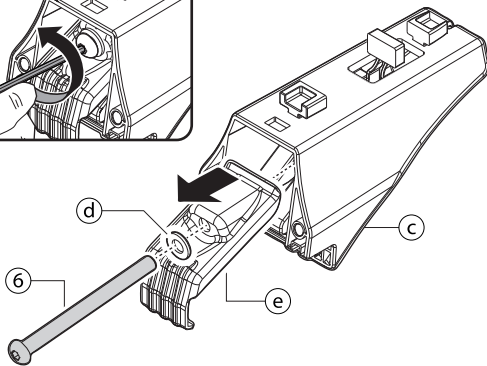
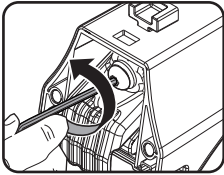
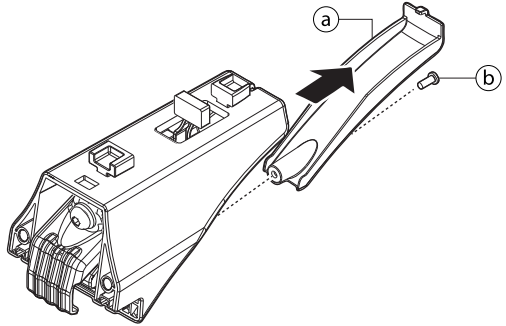
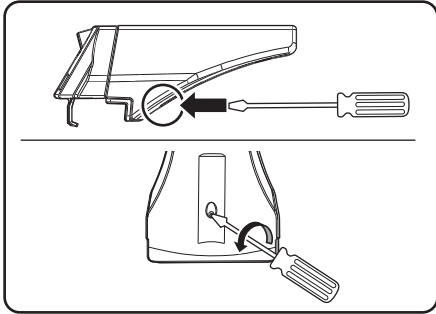


**LEOPARD**

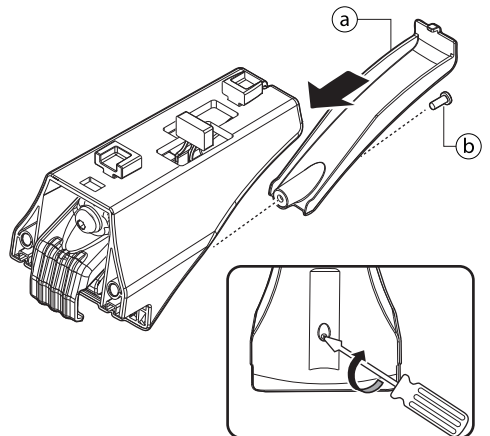
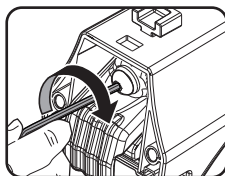
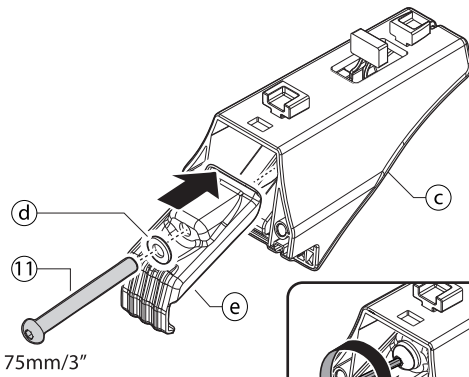
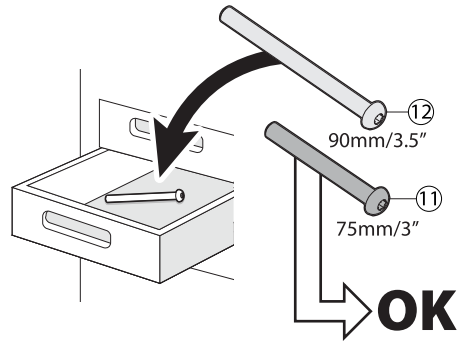




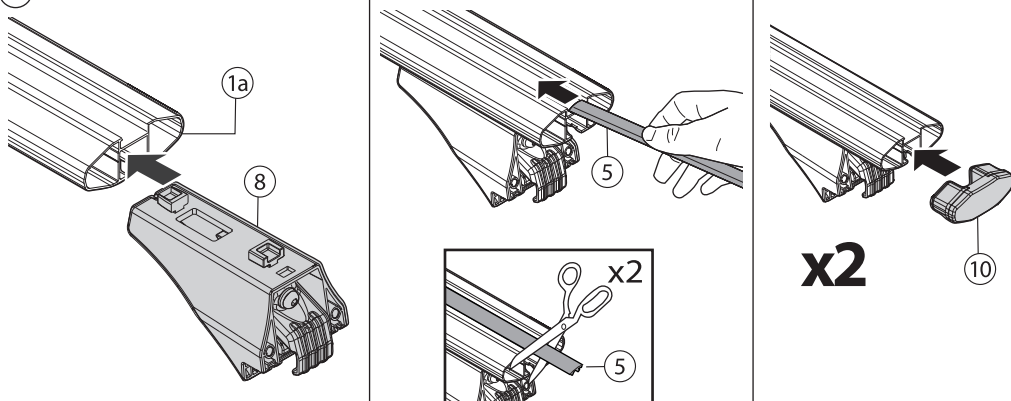
1



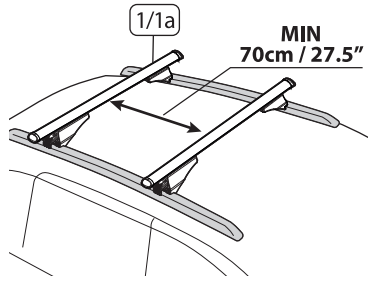
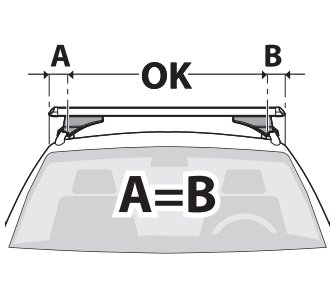
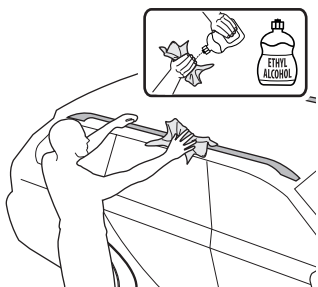
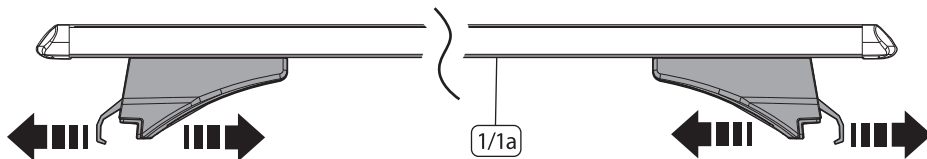
90mm/3.5"



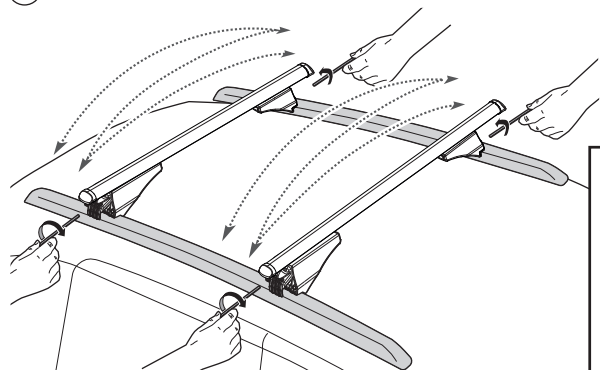
2 LEOPARD



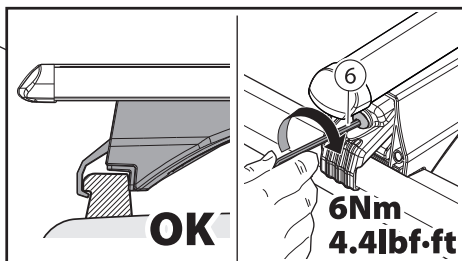
3 TIGER / AVIA / LEOPARD



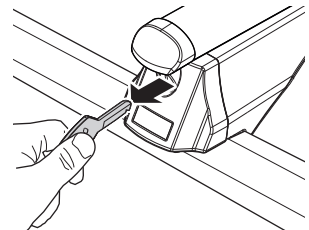
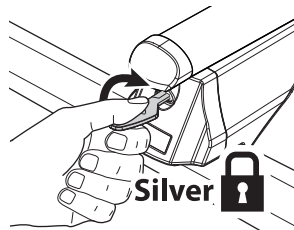
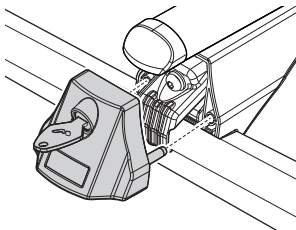
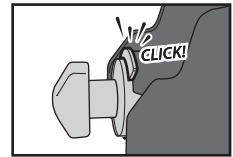
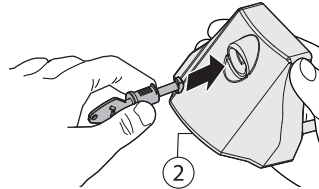
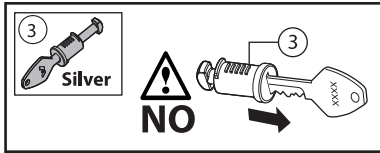
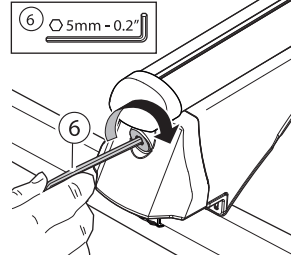
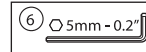
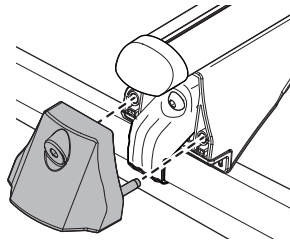
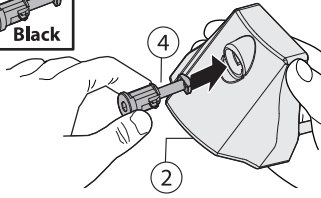
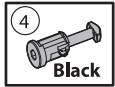
4 TIGER / AVIA / LEOPARD



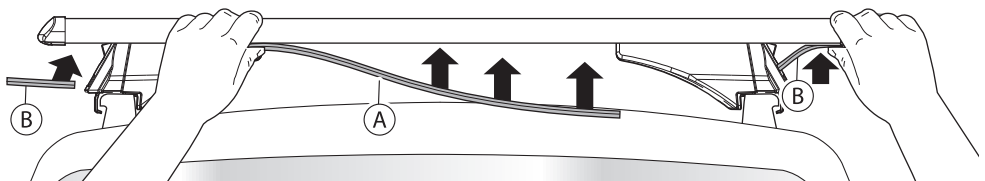
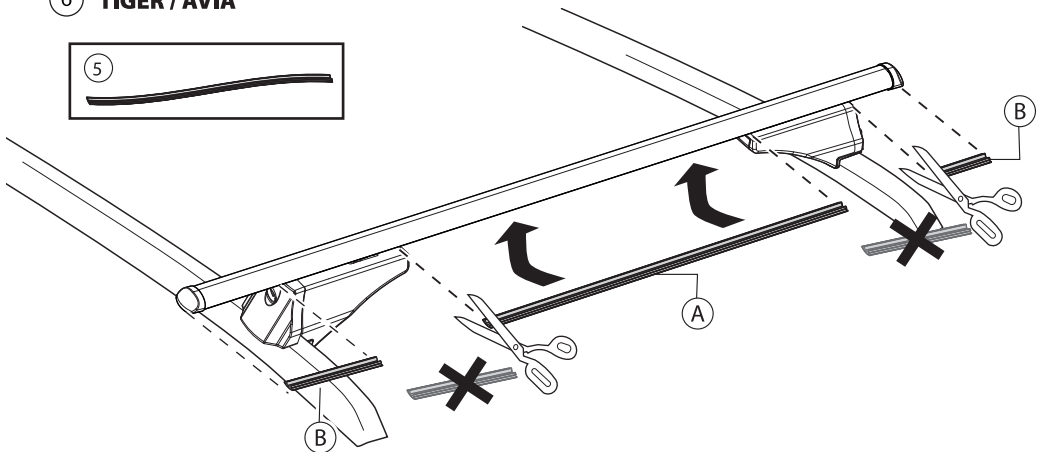
N	Q
6	1



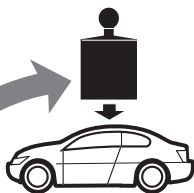
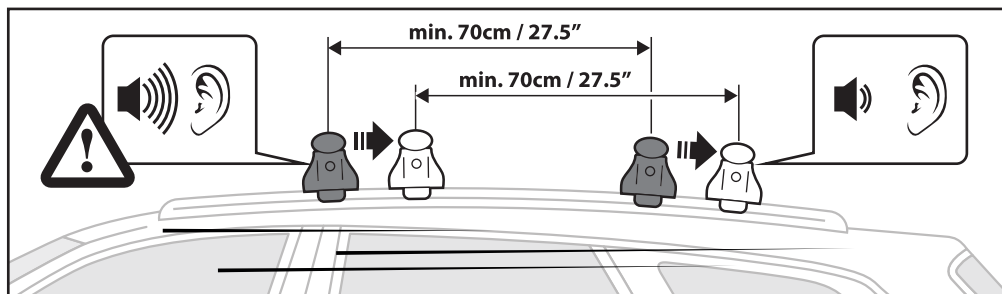
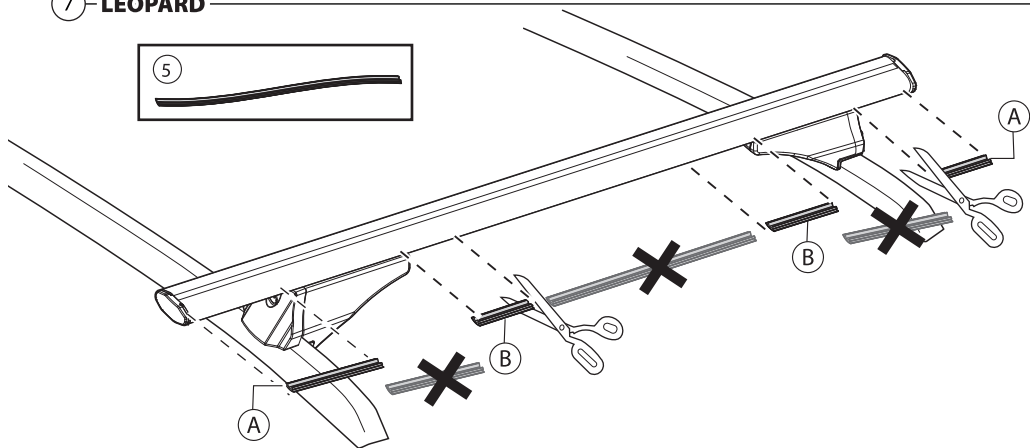
5 TIGER / AVIA / LEOPARD





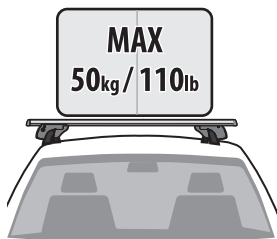
6 TIGER / AVIA



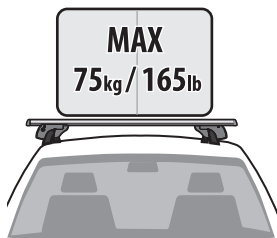
7 LEOPARD



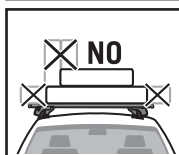
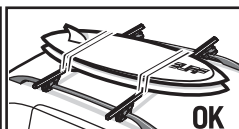
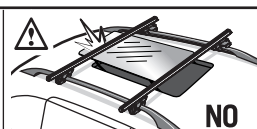
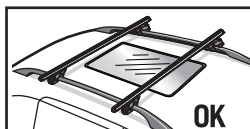
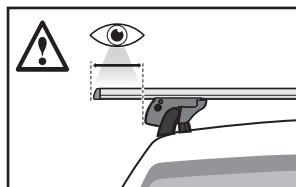
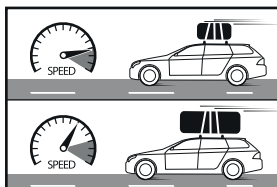
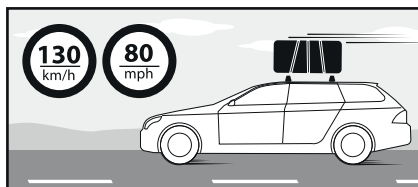
			+	
		kg		lb
TIGER	AVIA	3,9kg / 8.6lb		50-75kg / 110-165lb
TIGER XL	AVIA XL	4,2kg / 9.2lb		50-75kg / 110-165lb
LEOPARD		4kg / 8.8lb		50-75kg / 110-165lb
LEOPARD L		4,3kg / 9.5lb		50-75kg / 110-165lb



IT	Rails cromati	LV	Hromēti reļiņi
EN	Chromed rails	NO	Forkrommet rails
DE	Reling verchromt	NL	Chrome rail
FR	Rails chromé	PL	Chromowane relingi dachowe
ES	Rails cromados	PT	Barras longitudinais cromadas
BG	Хромирани релси за таван	RO	Bare longitudinale cromate
CS	Chromované podélné nosiče	RU	Хромированный брус
DA	Forkrommede skinner	SV	Kromat räcke
EL	Ράγες με χρομίο	SL	Kromirana površina
ET	Kroomitud reelingud	SK	Chromované nosníky
FI	Kromatut kattokaiteet	TK	Krom tavani rayları
HR	Kromirane šine	ZH	镀铬车顶杆
HU	Krómozott sín	AR	قضبان حديدية مغطاة بالكروم
LT	Chromuoti relingai		



IT	Rails non cromati	LV	Nehromēti reļiņi
EN	Non chromed rails	NO	Ikke-forkrommet rails
DE	Reling nicht verchromt	NL	Niet Chrome rail
FR	Rails non-chromé	PL	Niechromowane relingi dachowe
ES	Rails no cromados	PT	Barras longitudinais não cromadas
BG	Нехромни релси за таван	RO	Bare longitudinale non-cromate
CS	Nechromované podélné nosiče	RU	Не хромированный брус
DA	Ikke-forkrommede skinner	SV	Ej kromat räcke
EL	Ράγες χωρίς χρομίο	SL	Brez kromirane površine
ET	Kroomimata reelingud	SK	Nechromované nosníky
FI	Ei kromatut kattokaiteet	TK	Kromsuz rayları
HR	Nekromirane šine	ZH	未镀铬车顶杆
HU	Nem krómozott sín	AR	قضبان حديدية غير مغطاة بالكروم
LT	Nechromuoti relingai		



**F.lli Menabò s.r.l.**  
Via 8 Marzo 3,  
42025 Cavriago (RE), Italy  
customercare@flli-menabo.it  
www.menabocaraccessories.com

#### Product registration

IT) [eu.menabocaraccessories.com/ita/product-support-ita](http://eu.menabocaraccessories.com/ita/product-support-ita)  
EN) [eu.menabocaraccessories.com/eng/product-support-eng](http://eu.menabocaraccessories.com/eng/product-support-eng)  
DE) [eu.menabocaraccessories.com/deu/product-support-deu](http://eu.menabocaraccessories.com/deu/product-support-deu)  
FR) [eu.menabocaraccessories.com/ffa/product-support-ffa](http://eu.menabocaraccessories.com/ffa/product-support-ffa)  
ES) [eu.menabocaraccessories.com/esp/product-support-esp](http://eu.menabocaraccessories.com/esp/product-support-esp)

Cod.istr.	Data
500013900002	22/01/2021

[www.menabocaraccessories.com](http://www.menabocaraccessories.com)

Name

Surname

Email

Telephone

Serial number

Product name