

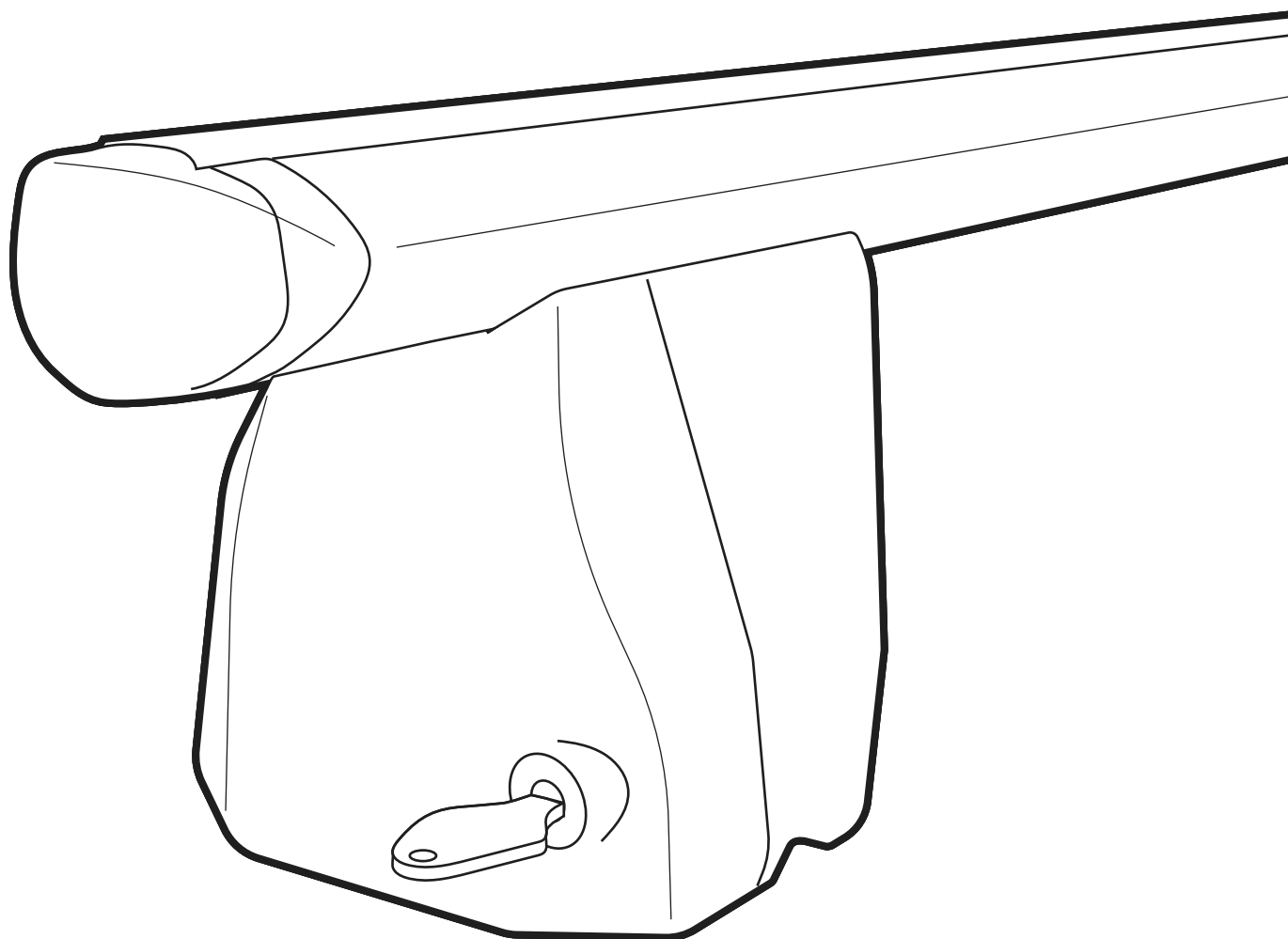
# MENABO

free time on the move

DL FIX 201FP  
DL FIX 203FP  
DL FIX 204FP

## DELTA

IT Istruzioni di montaggio	ET Paigaldusjuhend	PT Instruções de Montagem
EN Fitting instructions	FI Asennusohje	RO Instrucțiuni de montare
DE Montageanleitung	HR Uputa za sastavljanje	RU Инструкции по установке
FR Instructions de montage	HU A felszerelés módja	SK Návod na montáž
ES Instrucciones de montaje	LT Pritvirtinimo instrukcijos	SL Navodila za pritrjevanje
BG инструкции за сглобяване	LV Stiprināšanas instrukcija	SV Monteringsanvisning
CS Návod na montáž	NL Instrukcja montażu	TK Uydurma talimat
DA Monteringsvejledning	NO Monteringsveiledning	ZH 裝修指導
EL Οδηγίες συναρμολόγησης	PL Instrukcja montażu	AR تعليمات التجميع



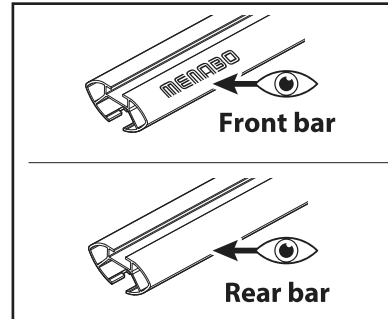
Made in Italy



FIXING KIT		
N.	(IT)Componenti (Inclusi) (EN)Components (Included) (FR)Composants (Comprises) (DE)Die Komponenten (im Lieferumfang enthalten) (ES)Componentes (Incluido)	Q.
0		1
1		4
2		8
3		4
4		4
5		4
6		4
7		4
8		4
10		1

MAIN KIT		
N.	(IT)Componenti (Inclusi) (EN)Components (Included) (FR)Composants (Comprises) (DE)Die Komponenten (im Lieferumfang enthalten) (ES)Componentes (Incluido)	Q.
11		4
12		4
13		4
14		1
15		2
16		4
17		2
18		4
19		4

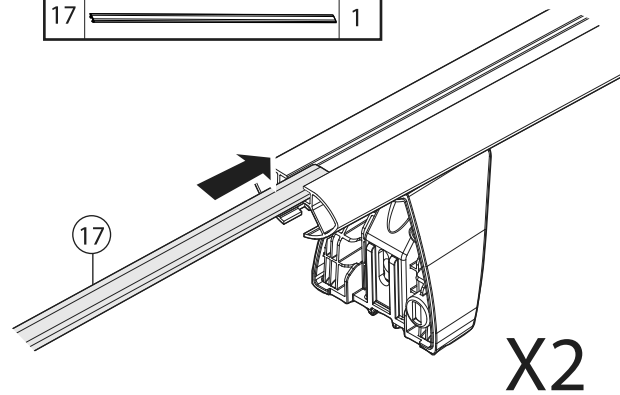
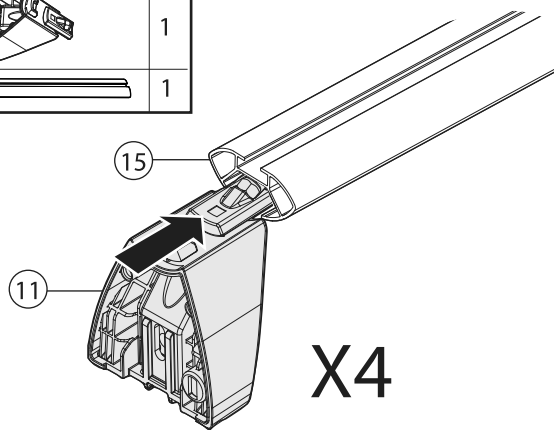
OPTIONAL KIT 00008480000		
N.		Q.
20		4
21		4



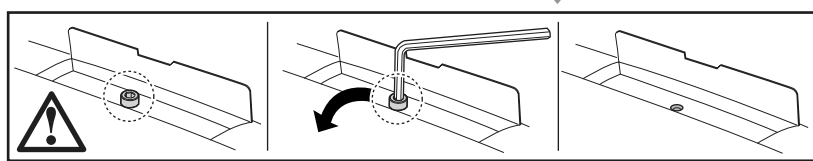
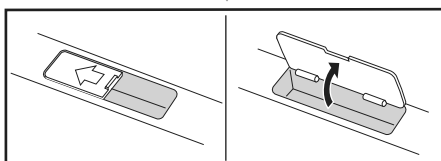
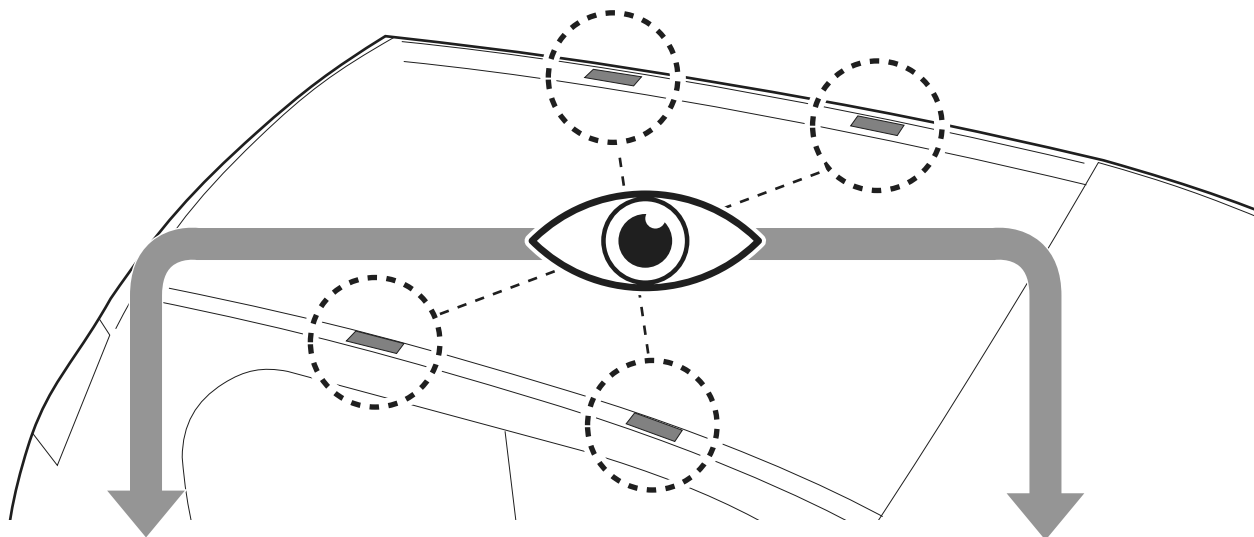
1

N.		Q.
11		1
15		1

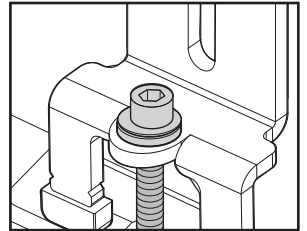
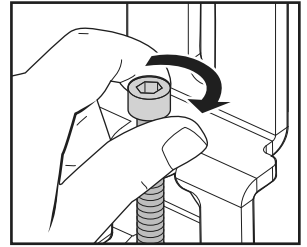
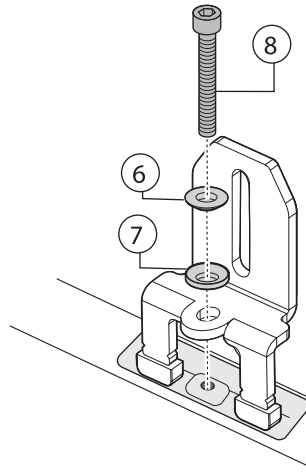
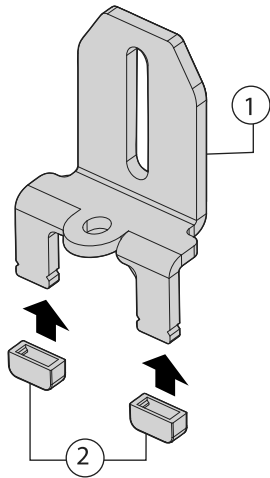
N.		Q.
17		1



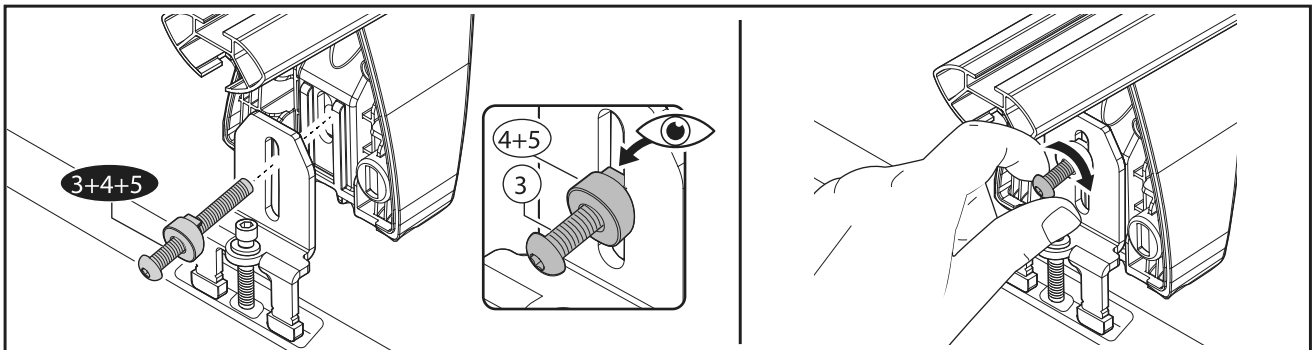
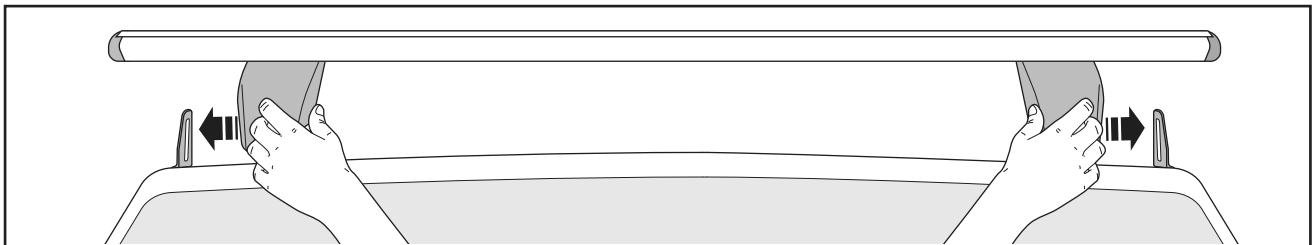
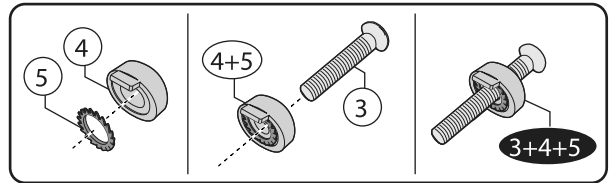
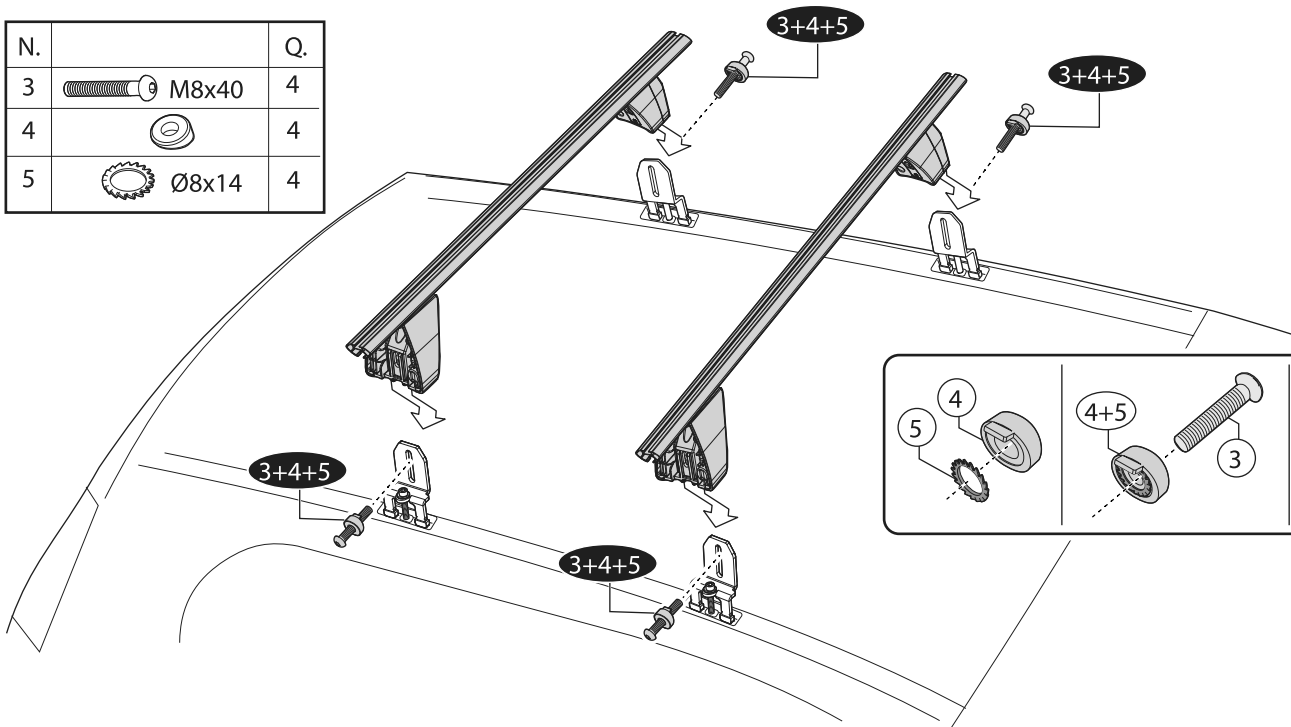
2

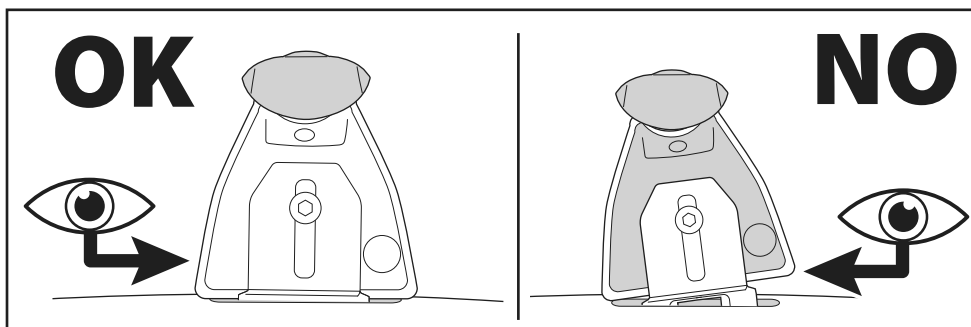
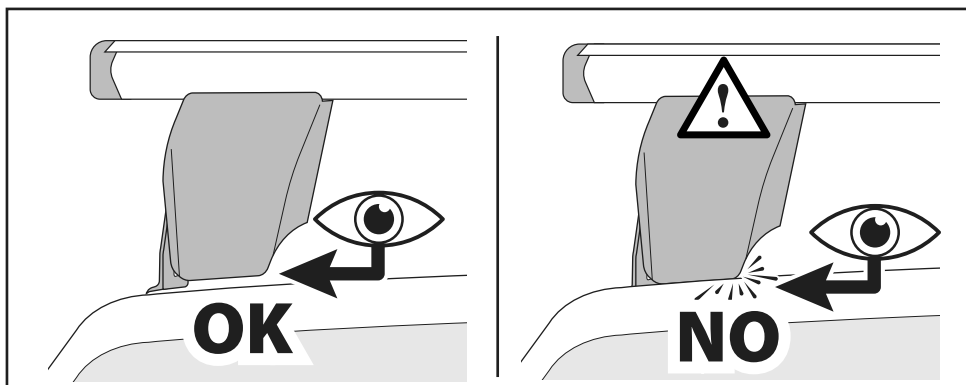
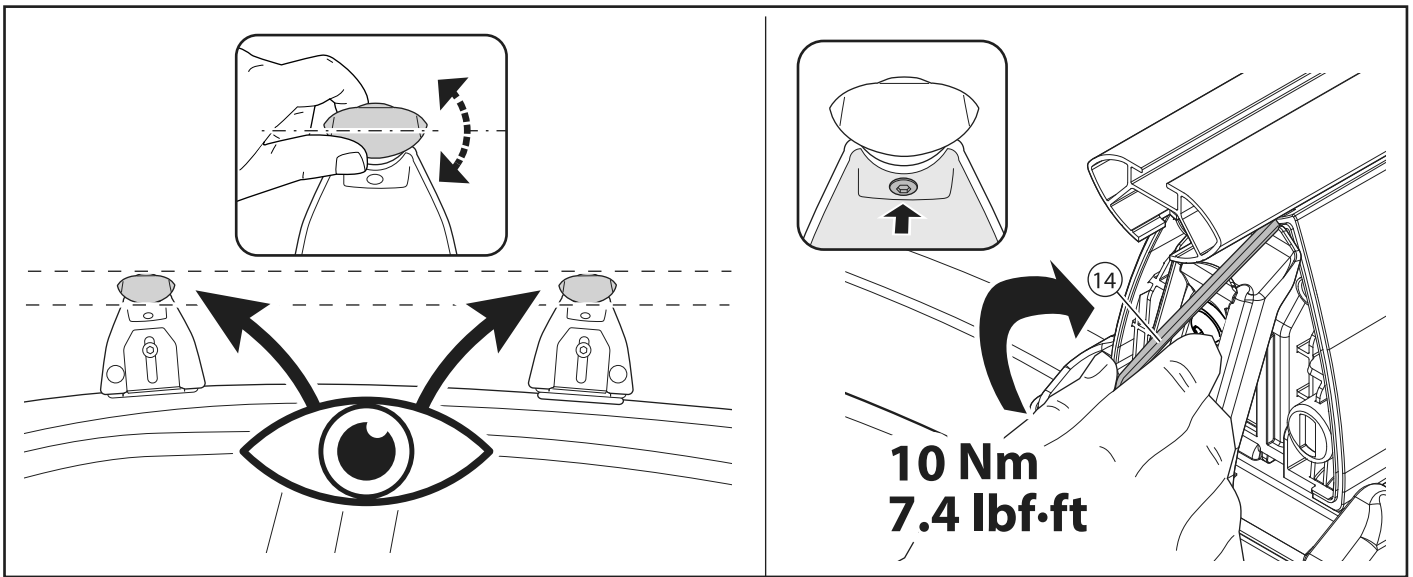
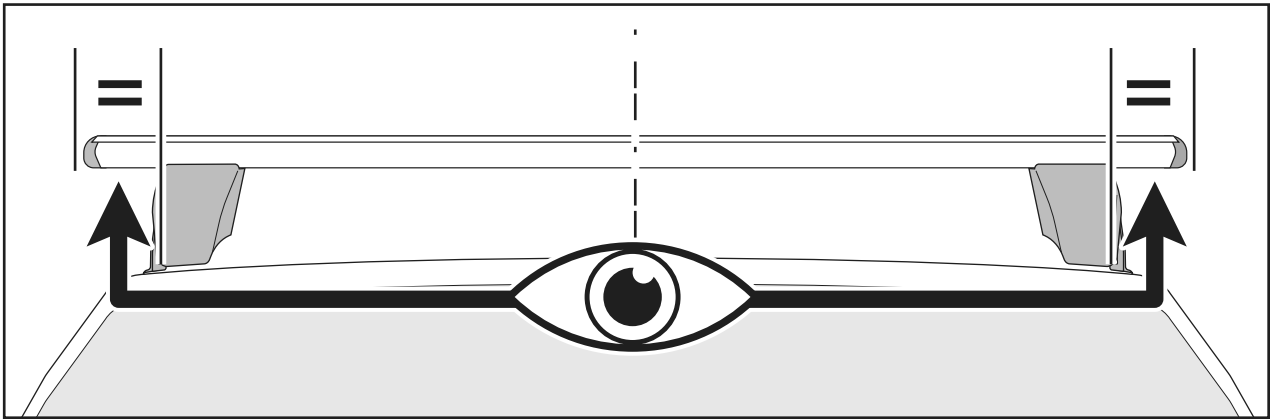


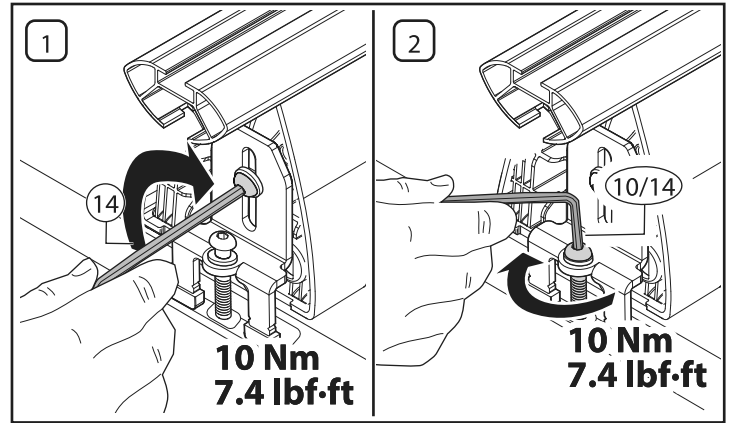
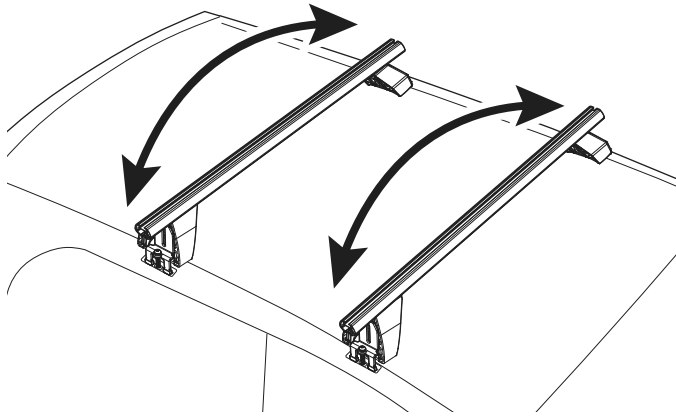
N.		Q.
1		1
2		2
6		1
7		1
8		1



N.		Q.
3		4
4		4
5		4

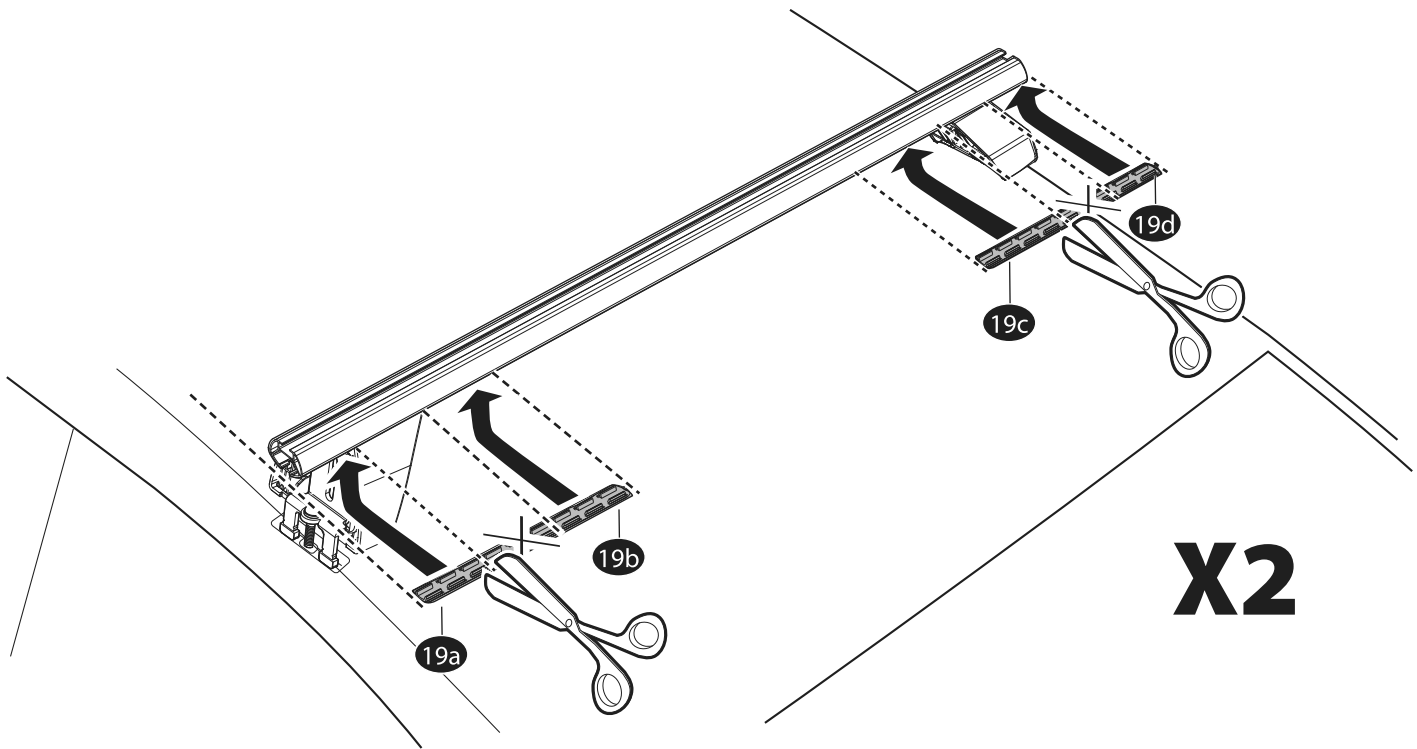
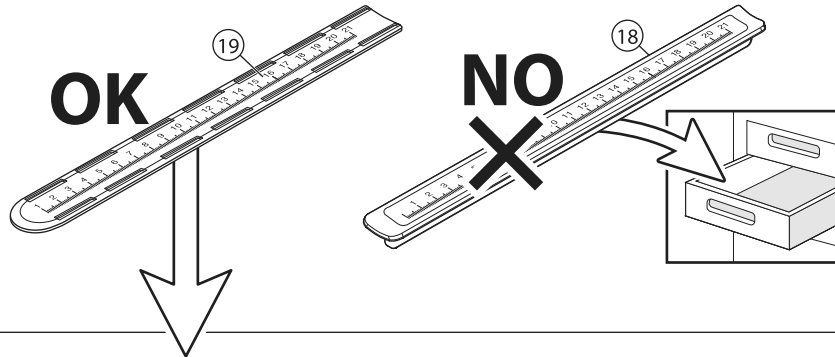






7

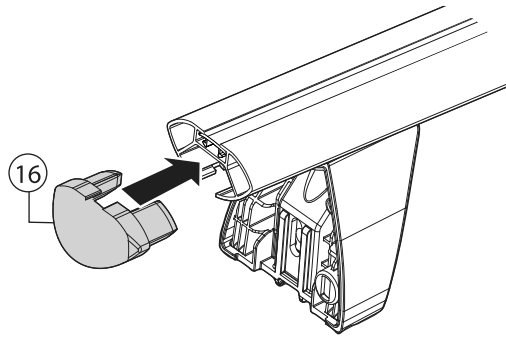
N.		Q.
18		2
19		2



8

X4-

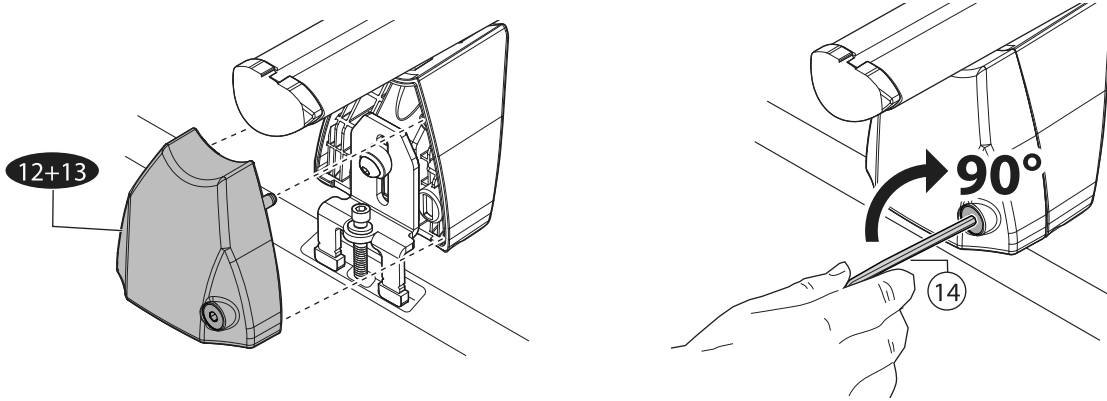
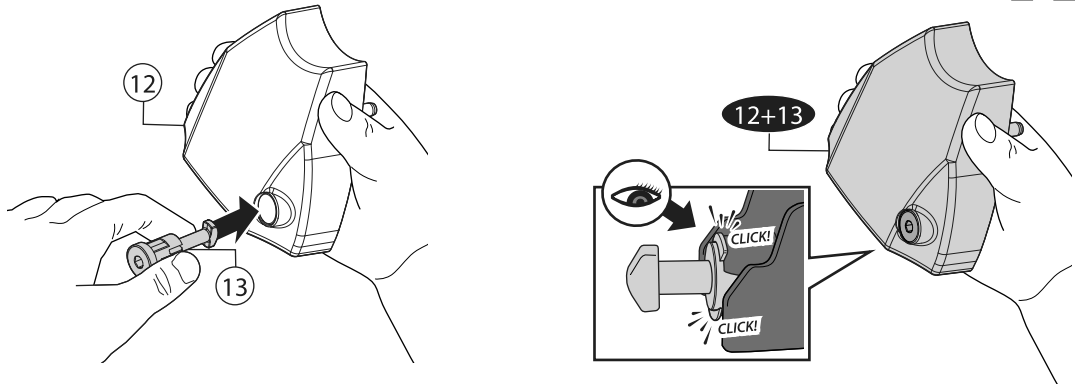
N.	Q.
16	1



9

X4-

N.	Q.
12	1
13	1

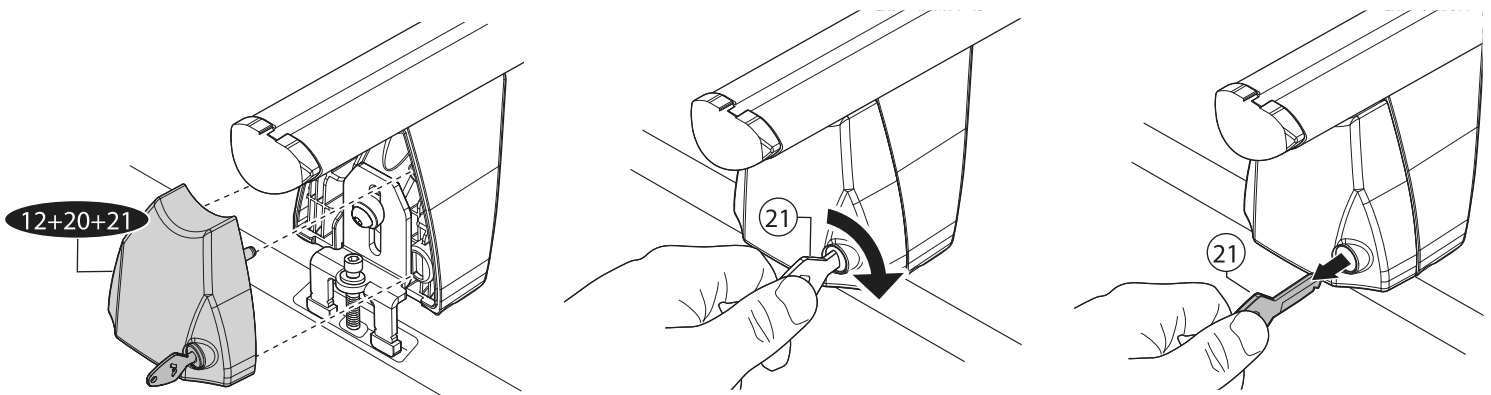
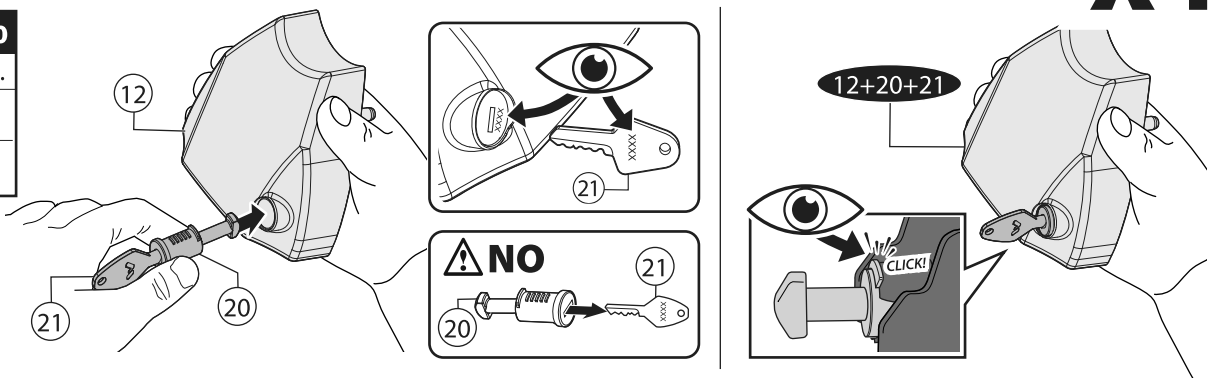





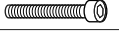
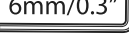
9 - OPTIONAL




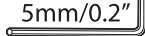




X4-

**KIT 000084800000**

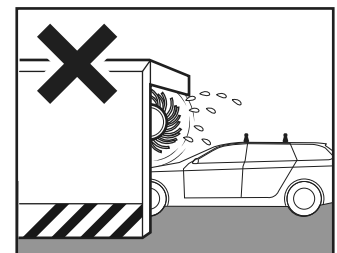
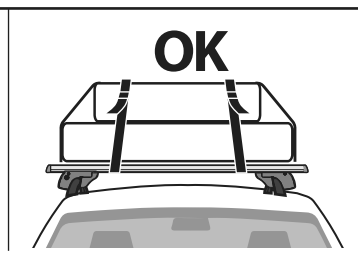
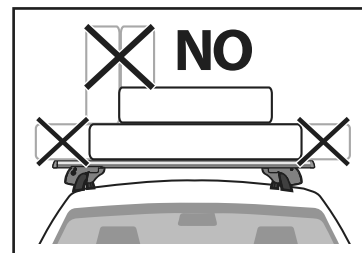
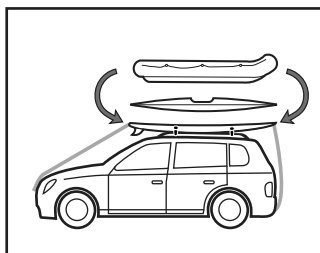
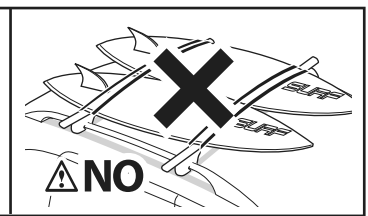
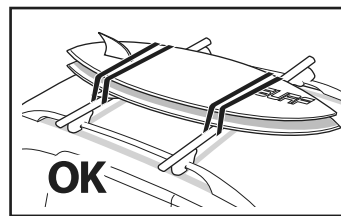
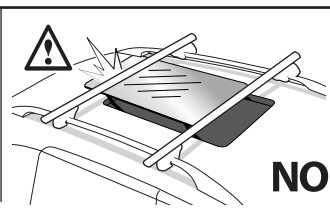
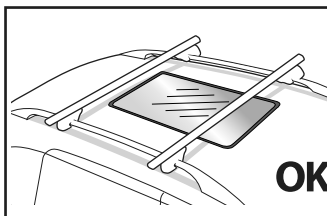
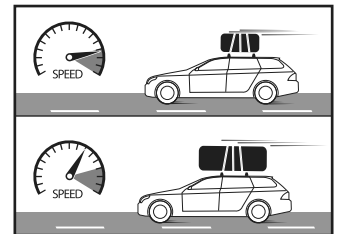
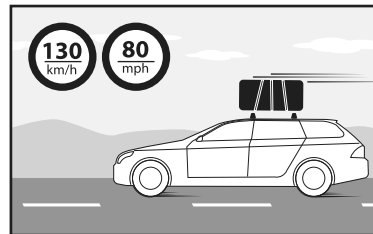
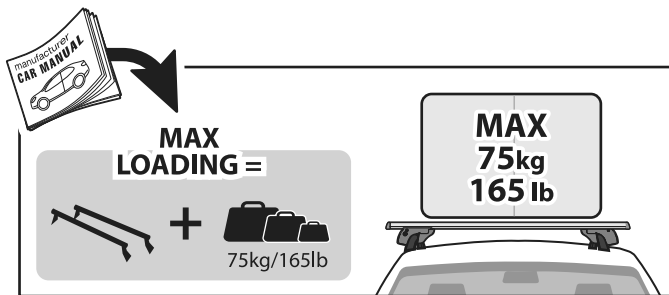
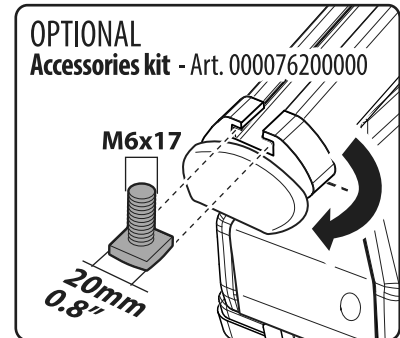
N.	Q.
20	1
21	1



FIXING KIT			
N.	(IT) Ricambi (A Richiesta) (EN) Spare Parts (Made to order) (FR) Pièces de rechange (Sur commande) (DE) E Teile (auf Anfrage) (ES) Piezas de recambio (Previa solicitud)	Q.	Codice-Code-Código
2		9	700031800000
3	 M8x40	4	700031700000
4		4	
5	 Ø8x14	4	700031600000
6		4	
7		4	
8	 MZxY	4	700023700000
10	 6mm/0.3"	1	

MAIN KIT			
N.	(IT) Ricambi (A Richiesta) (EN) Spare Parts (Made to order) (FR) Pièces de rechange (Sur commande) (DE) E Teile (auf Anfrage) (ES) Piezas de recambio (Previa solicitud)	Q.	Codice-Code-Código
11		1	700029500000
12		1	700029600000
13		4	700025300000
14	 5mm/0.2"	1	700025000000
16		2	700029300000
17		2	700007900000
18		4	700029400000
19		4	700032000000

OPTIONAL KIT 000084800000		
N.		Q.
20		4
21	 XXXX	4





F.lli Menabò S.r.l.  
Via 8 Marzo, 3 -Z.I. Corte Tegge  
42025 Cavriago (RE) ITALY

MENABO USA INC.  
18 Bridge Street, Unit 2A  
Brooklyn, NY, 11201 - U.S.A.

MENABO CANADA INC.  
1710 TransCanada Hwy  
Dorval, QC, H9P 1H7 - Canada

customercare@flli-menabo.it  
customercare@menaboamericas.com  
www.menabocaraccessories.com

**Product registration EU:**

IT) [eu.menabocaraccessories.com/ita/product-support-ita](http://eu.menabocaraccessories.com/ita/product-support-ita)  
EN) [eu.menabocaraccessories.com/eng/product-support-eng](http://eu.menabocaraccessories.com/eng/product-support-eng)  
DE) [eu.menabocaraccessories.com/deu/product-support-deu](http://eu.menabocaraccessories.com/deu/product-support-deu)  
FR) [eu.menabocaraccessories.com/fra/product-support-fra](http://eu.menabocaraccessories.com/fra/product-support-fra)  
ES) [eu.menabocaraccessories.com/esp/product-support-esp](http://eu.menabocaraccessories.com/esp/product-support-esp)

**Product registration US:**

EN) [america.menabocaraccessories.com/en/product-support](http://america.menabocaraccessories.com/en/product-support)  
FR) [america.menabocaraccessories.com/fr/support-produit](http://america.menabocaraccessories.com/fr/support-produit)  
ES) [america.menabocaraccessories.com/es/soporte-de-producto](http://america.menabocaraccessories.com/es/soporte-de-producto)

Cod.Istr.	500024300001
Data	22/06/2021

www.menabocaraccessories.com

Name

Surname

Email

Telephone

Serial number

Product name