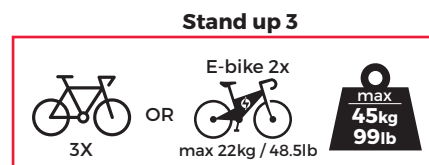
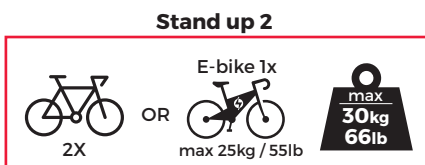
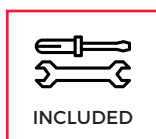
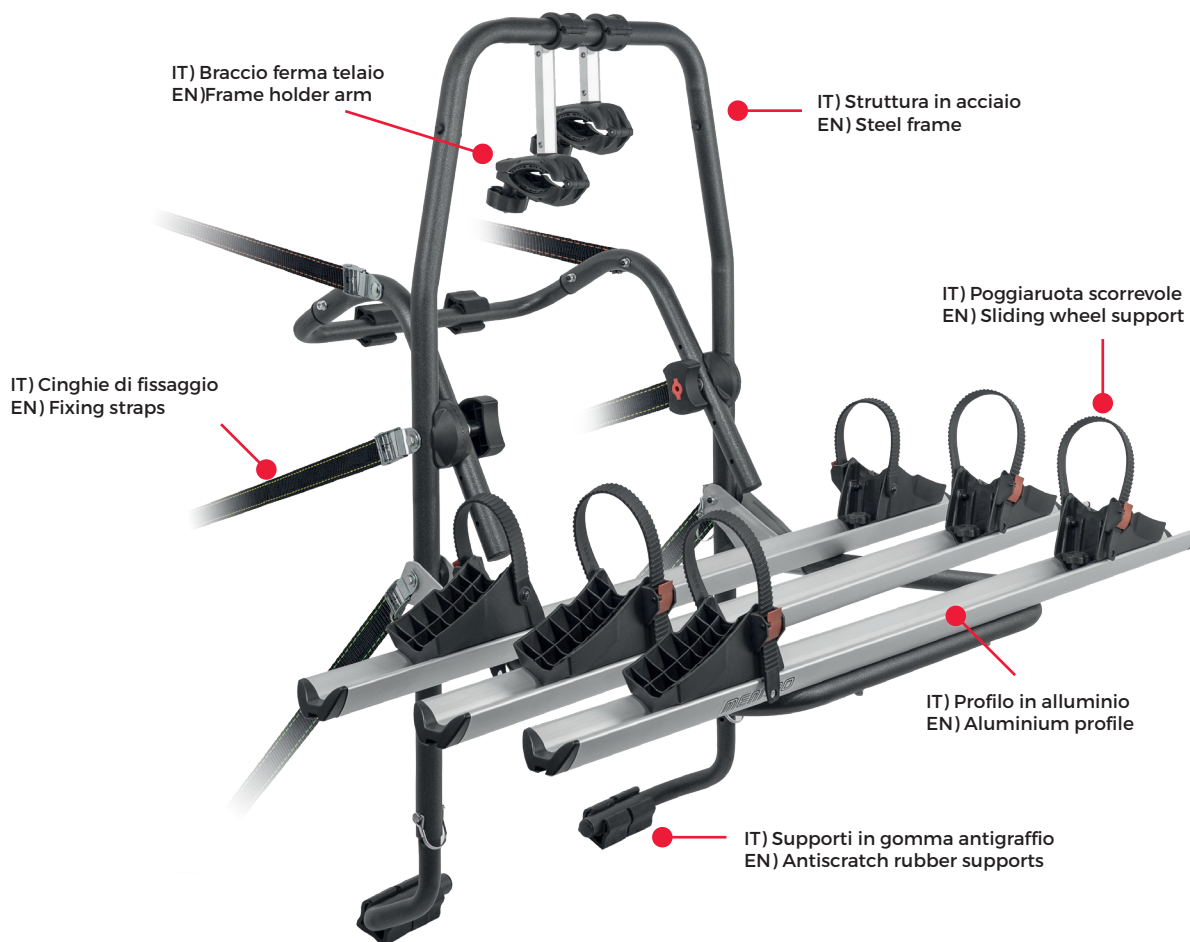


STAND UP



IT) Portabici posteriore con struttura in acciaio e corsie in alluminio. Richiudibile e semplice da montare sul retro dell'auto. Disponibile in due versioni per 2 o 3 bici.

EN) Rear bike carrier with steel frame and aluminium rails. Foldable and easy to install on the car's hatch. Available in two models for 2 or 3 bikes.



Stand Up 2
Art. 000063400000



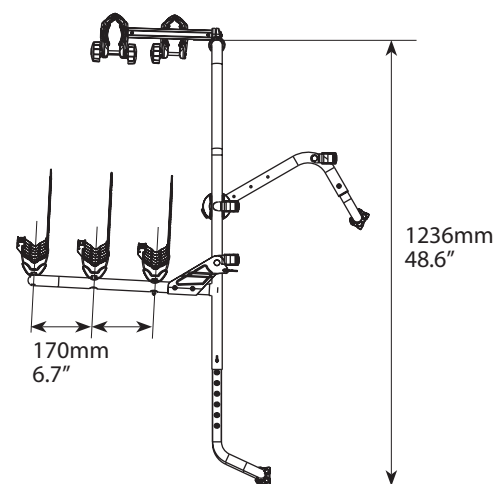
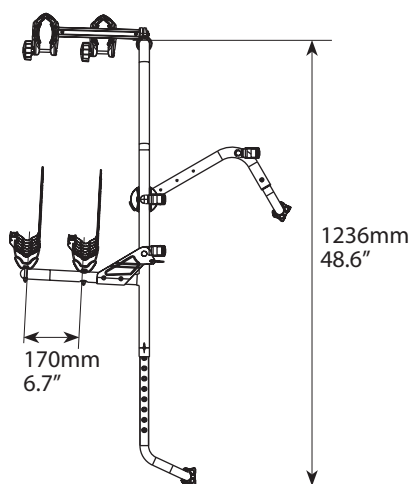
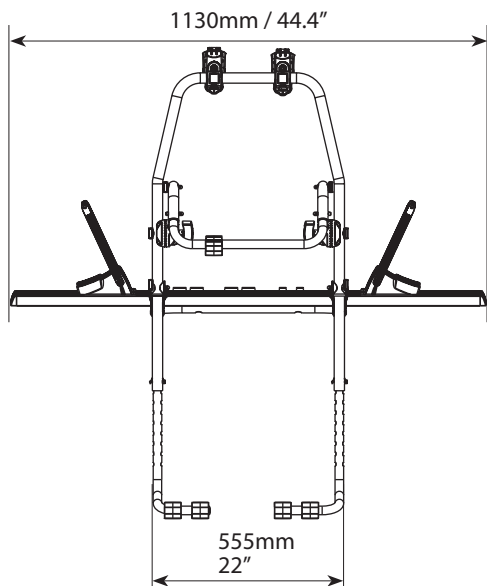
Stand Up 3
Art. 000063500000



STAND UP 2 / STAND UP 3

STAND UP 2

STAND UP 3


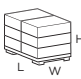




STAND UP 2	
Art.	000063400000
	12,2kg/27lb
Materiale Material Matière	Alluminio e acciaio Aluminium and steel Aluminium und Stahl Aluminio y acero Aluminium et acier
	max 30kg / 66lb
	x
	Optional Art.000026400000
Max	2
Fat bike	x
E-bike	1 (max 25kg/55lb)

STAND UP 3	
Art.	000063500000
	12,7kg/28lb
Materiale Material Matière	Alluminio e acciaio Aluminium and steel Aluminium und Stahl Aluminio y acero Aluminium et acier
	max 45kg / 99lb
	x
	Optional Art.000026400000
Max	3
Fat bike	x
E-bike	2 (max 22kg/48.5lb)

**COMPATIBILITÀ BICI
BIKE COMPATIBILITY
VÉLOS COMPATIBLES
BICICLETAS COMPATIBLES
PASSENDE FAHRRÄDER**

Mod.					
STAND UP 2 / STAND UP 3	 min: 30mm/1.2" max: 50mm/2.3"	 min: 30x60mm/1.2x2.3" max: 50x70mm/2x2.7"	min 22" max 29"	max 75mm/3"	max 1210mm/47.6"

Mod.	STAND-UP 2	STAND-UP 3
Art.N°	000063400000	000063500000
	L x W x H : 115x61,5x14 cm / 45.2x24.2x5.5" 📦 13,7 Kg / 30.2lb	L x W x H : 115x61,5x14 cm / 45.2x24.2x5.5" 📦 14,7 Kg / 32.4lb
	L x W x H : 120x80x212 cm / 47.2x31.5x83.4" 📦 240 Kg / 529lb Pz: 16	L x W x H : 120x80x212 cm / 47.2x31.5x83.4" 📦 256 Kg / 564.4lb Pz: 16
Ean-13	 8 003168 010241	 8 003168 010258

F.lli Menabò s.r.l.

Via 8 Marzo 3,
42025 Cavriago (RE), Italy
customer@flli-menabo.it
www.menabocaraccessories.com