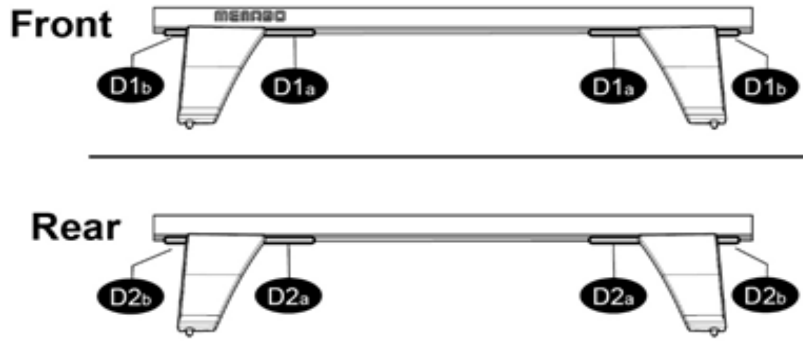
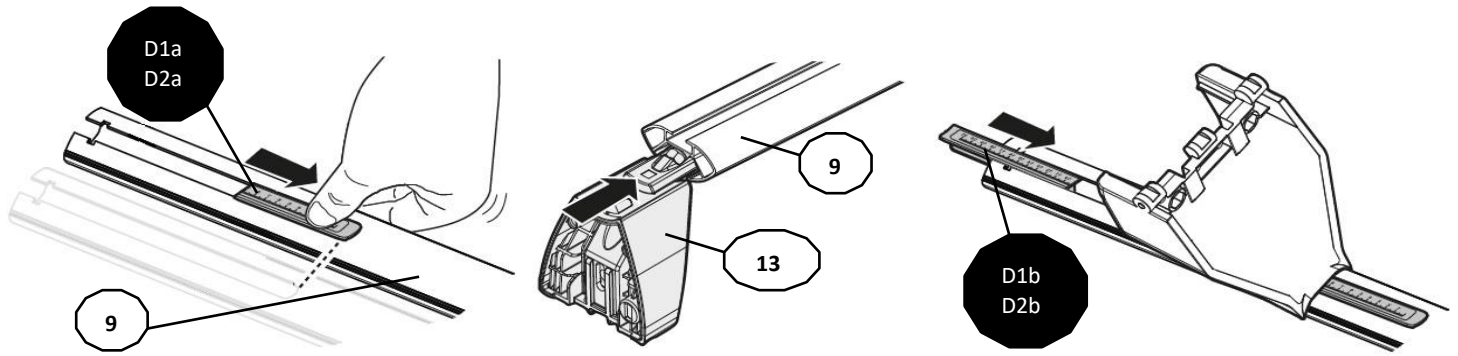
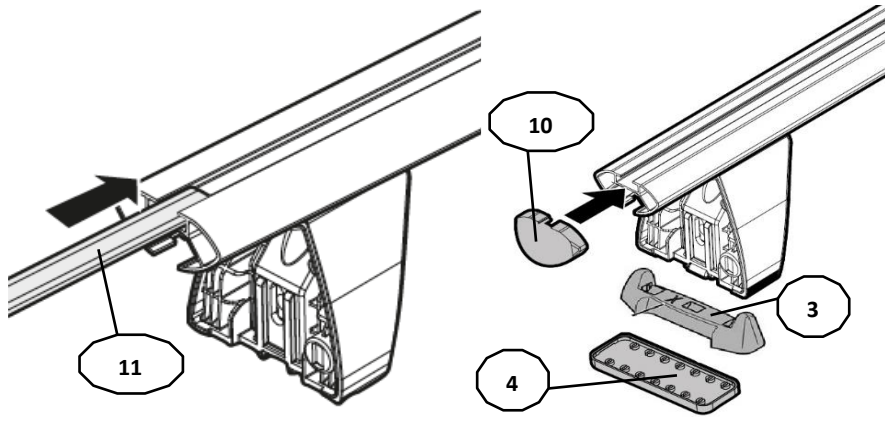


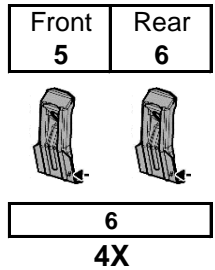
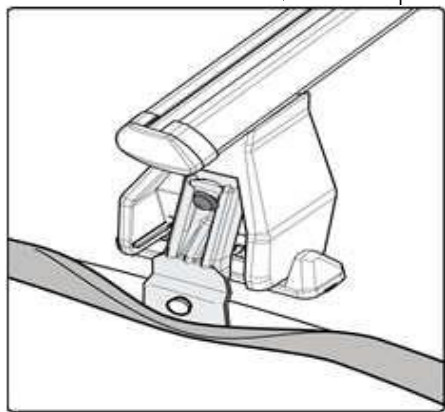
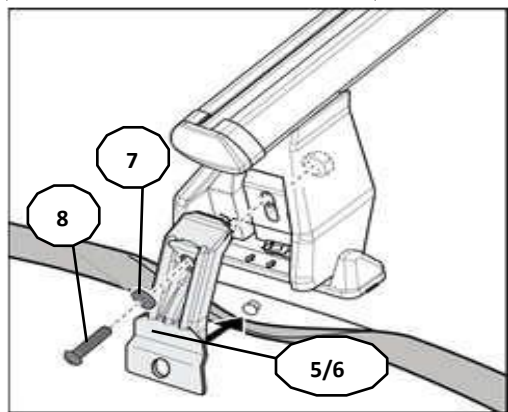
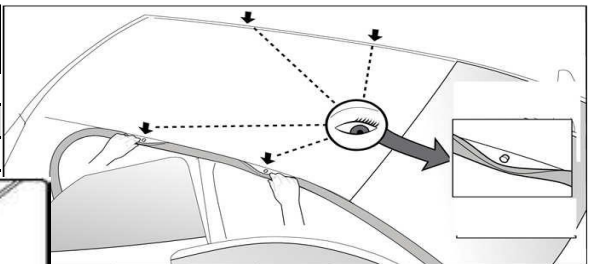
MANUFACTURER	MODEL CAR	DOORS	MODEL YEAR	D1	D2
ALFA ROMEO	156	4	03>05	9,5	8,3
ALFA ROMEO	156	4	97>03	9,5	8,3
ALFA ROMEO	164	4	87>97	10,1	10,4
ALFA ROMEO	156 Sportwagon	5	00>05	9,8	8,7
FIAT	Croma	4	85>96	10,7	10,0
LANCIA	K	4	94>00	10,0	10,0
LANCIA	Thema	4	84>94	10,7	10,0
SAAB	900	5	91>97	10,7	10,0
SAAB	9-5	4	97>12	13,3	12,1



x4

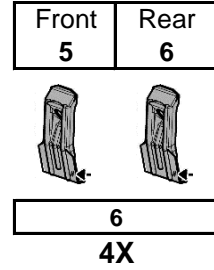
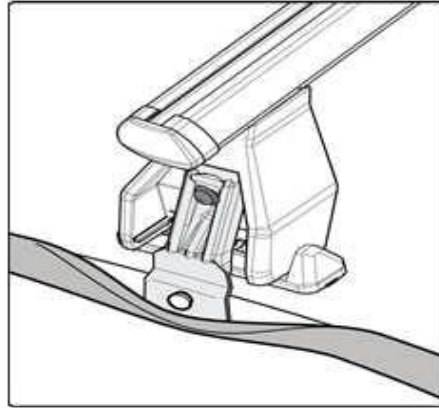
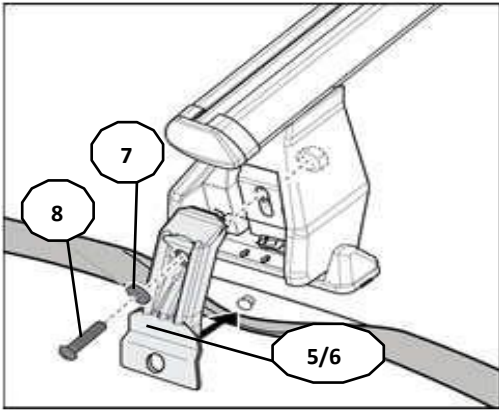
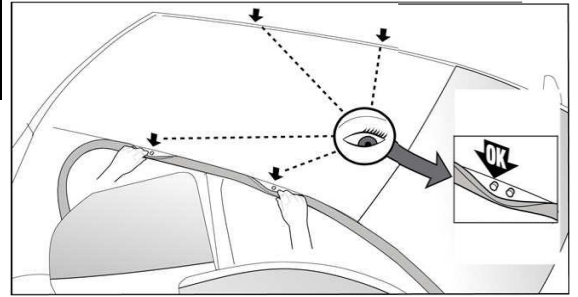


MODEL CAR	DOORS	MODEL YEAR
156	4	97>05
164	4	87>97
156 Sportwagon	5	00>05



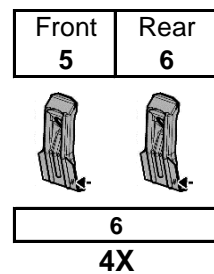
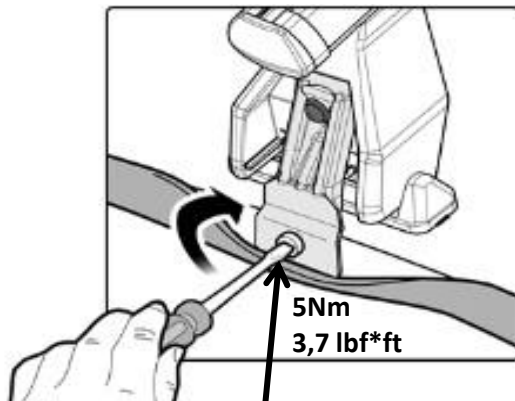
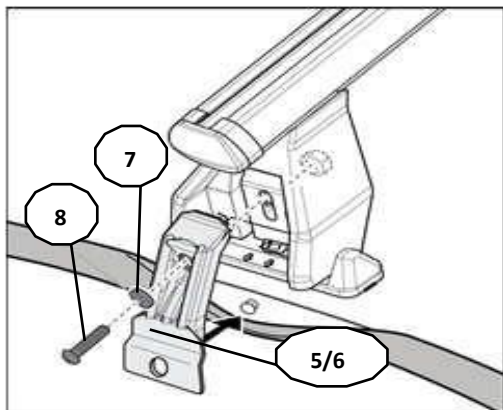
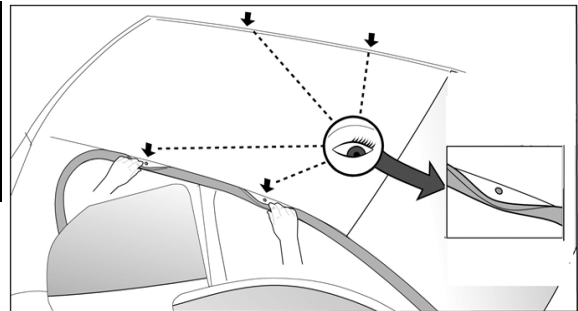
4b

MODEL CAR	DOORS	MODEL YEAR
K	4	94>00



4c

MODEL CAR	DOORS	MODEL YEAR
Croma	4	85>96
Thema	4	84>94
900	5	91>97
9-5	4	97>12



4 ⊕ M8x15 include - included