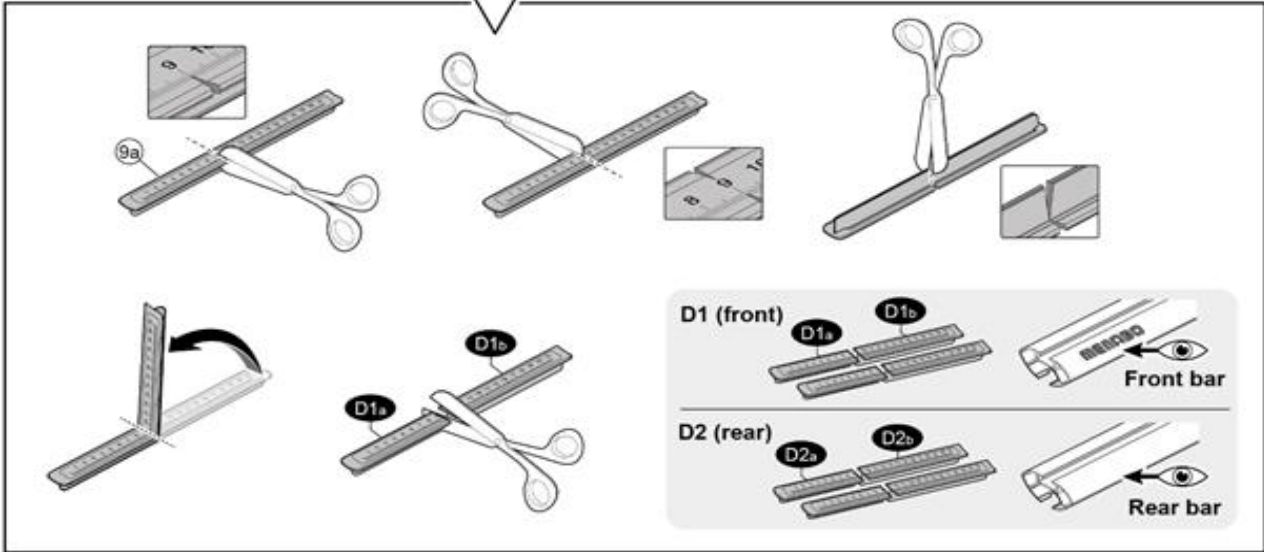
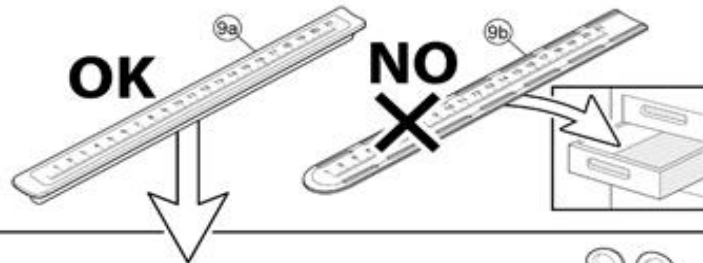


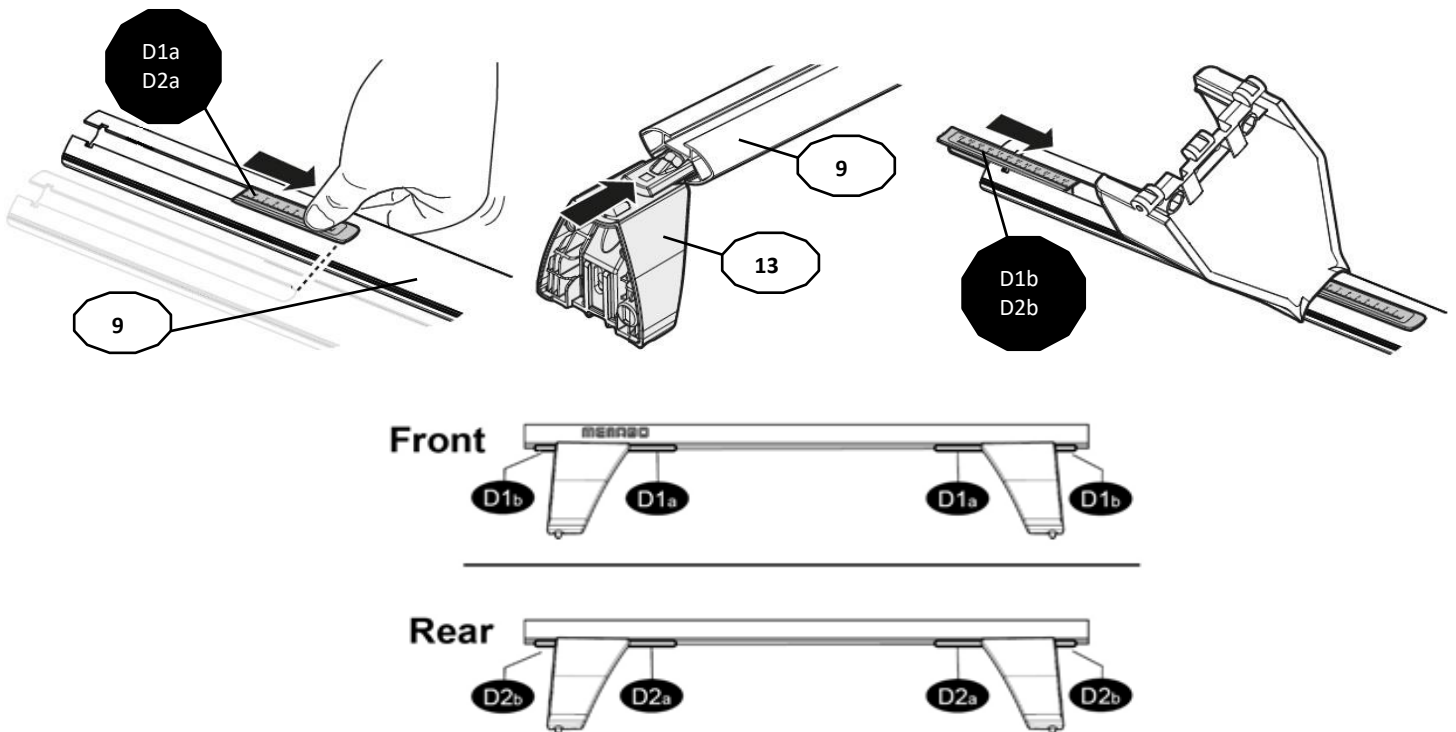


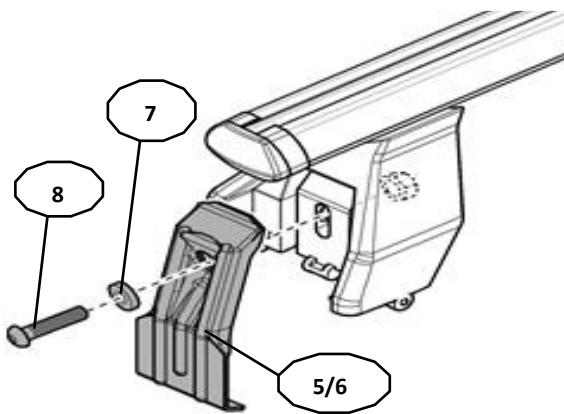
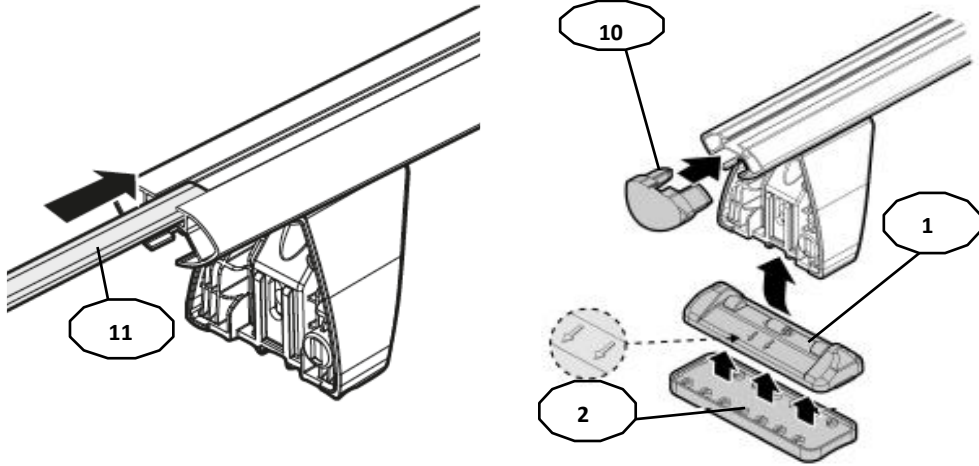
1



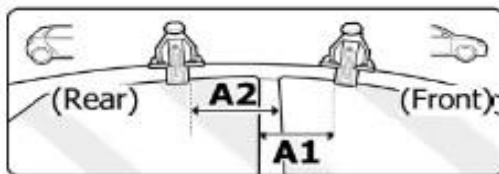
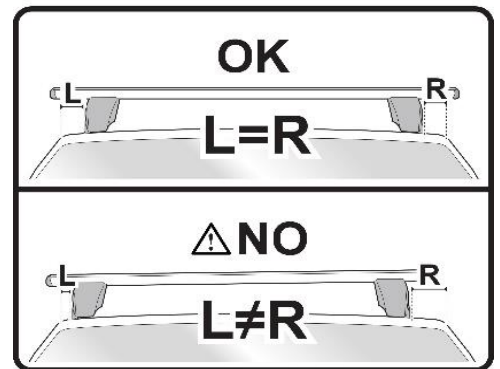
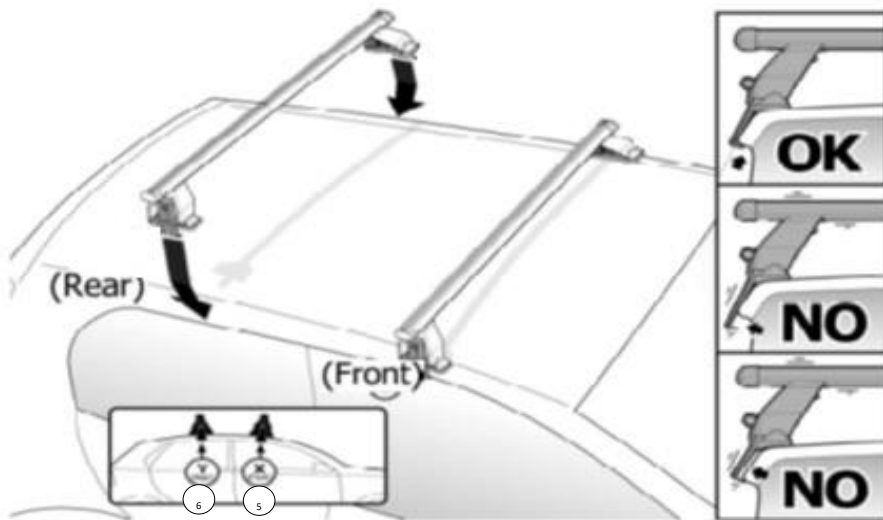
MANUFACTURER	MODEL CAR	DOORS	MODEL YEAR	D1	D2
SUZUKI	ERTIGA	5	18>	11,5	13,0

2

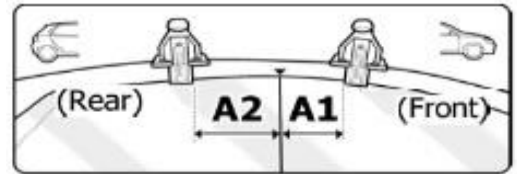




Front	Rear
5	6
15	26
2X	2X



OR



MANUFACTURER	MODEL CAR	DOORS	MODEL YEAR	A1	A2	A1	A2
				cm	cm	in	in
SUZUKI	ERTIGA	5	18>	20	50	7,9	19,7

X = predisposizione originale /original arrangement