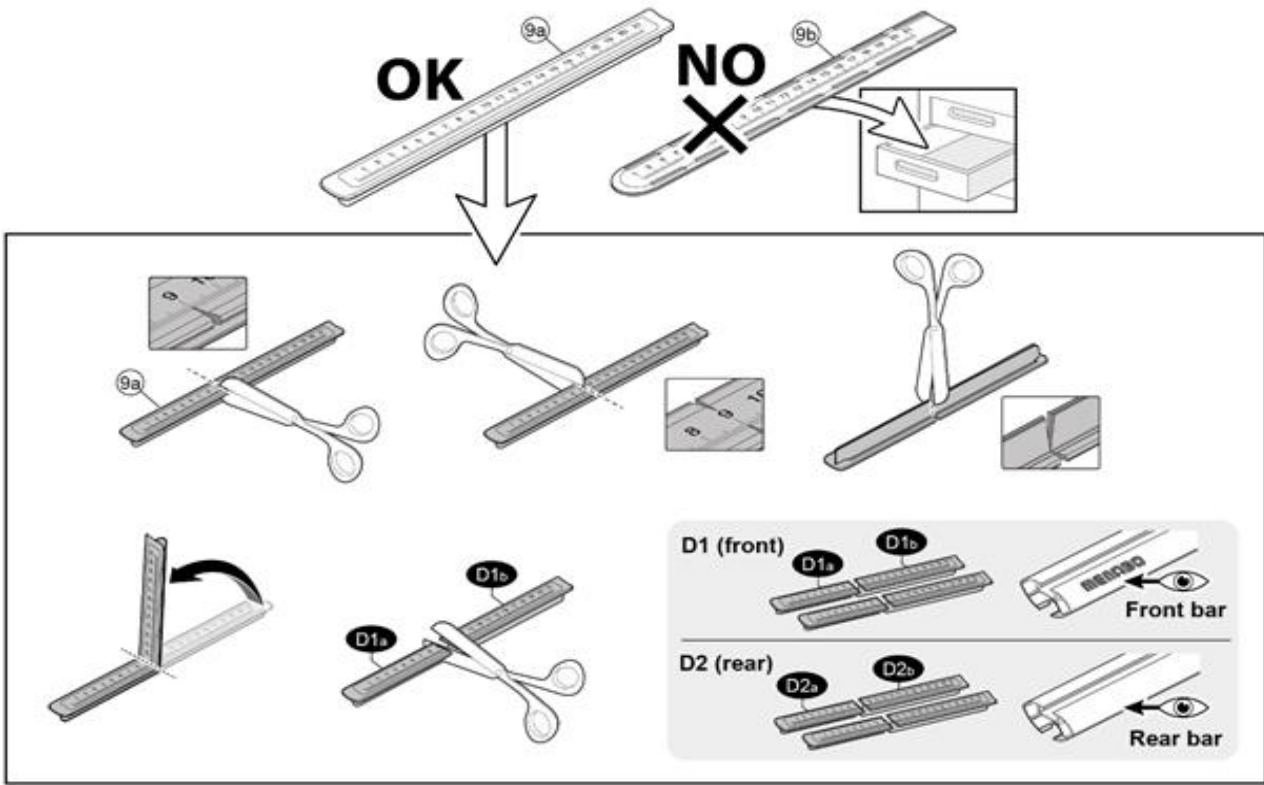


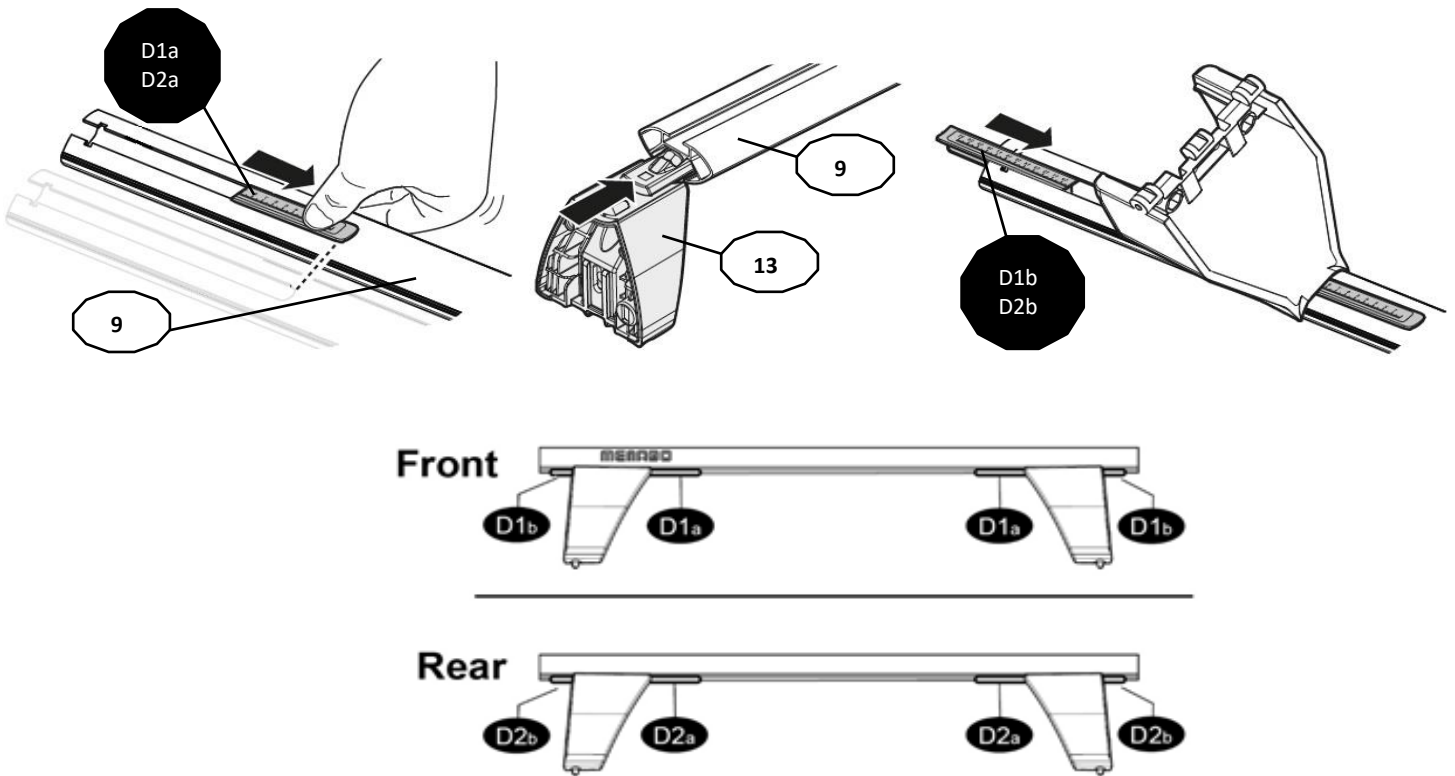


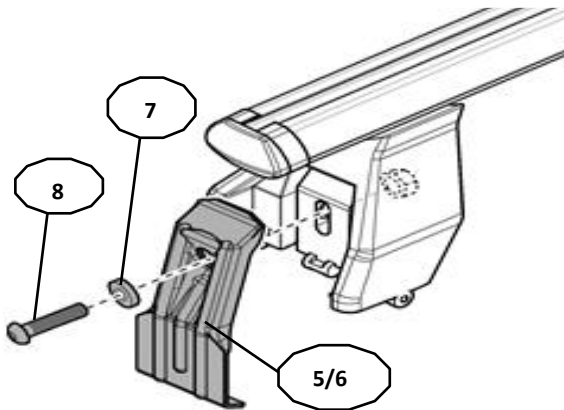
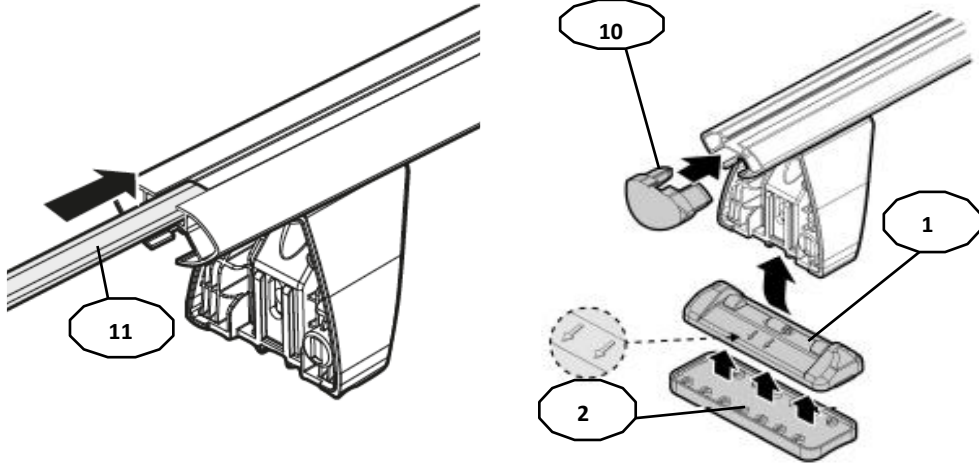
1



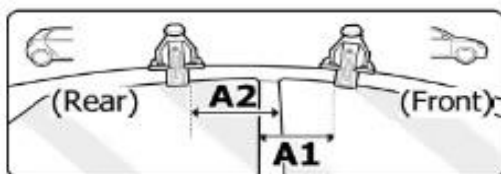
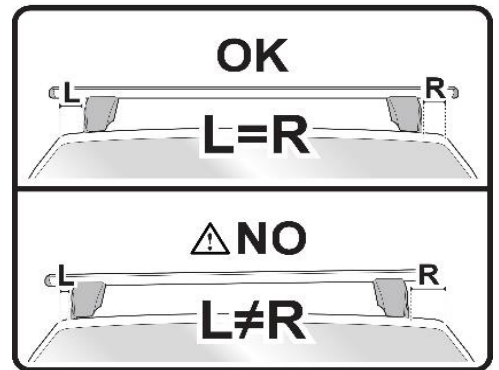
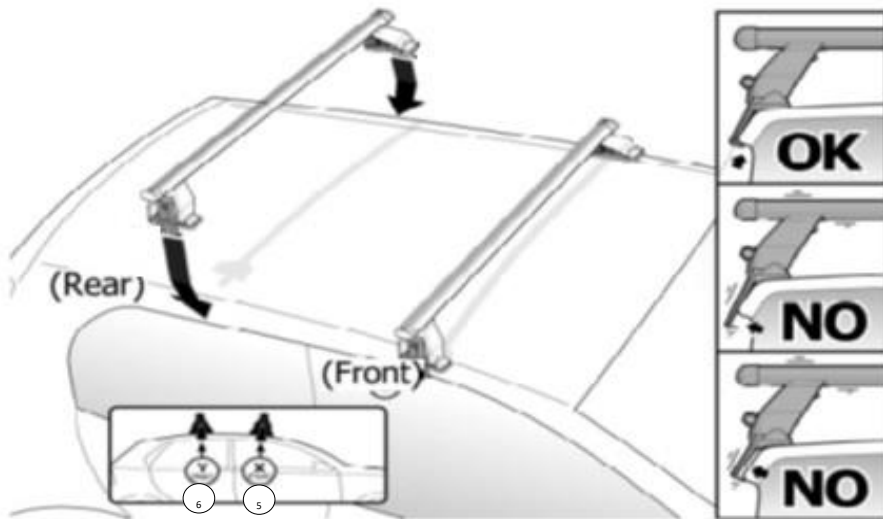
| MANUFACTURER | MODEL CAR          | DOORS | MODEL YEAR | D1  | D2  |
|--------------|--------------------|-------|------------|-----|-----|
| HONDA        | Civic X (FC) Sedan | 4     | 16>        | 6,7 | 5,9 |

2

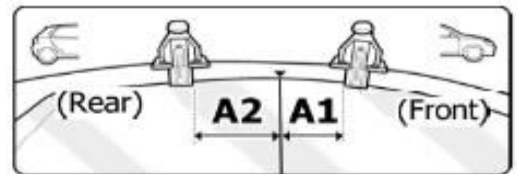




|       |      |
|-------|------|
| Front | Rear |
| 5     | 6    |
|       |      |
| 24    | 21R  |
| 2X    | 2X   |



OR



| MANUFACTURER | MODEL CAR          | DOORS | MODEL YEAR | A1 | A2 | A1  | A2   |
|--------------|--------------------|-------|------------|----|----|-----|------|
|              |                    |       |            | cm | cm | in  | in   |
| HONDA        | Civic X (FC) Sedan | 4     | 16>        | 24 | 33 | 9,4 | 13,0 |

X = predisposizione originale /original arrangement