

12V

7.8Ah

NLP30



# INSANE PERFORMANCE. LITHIUM POWERSPORT BATTERY.™

2X

MORE POWER.

10X

MORE STARTS.

5X

LONGER LIFE.

## DYNAMIC BMS.

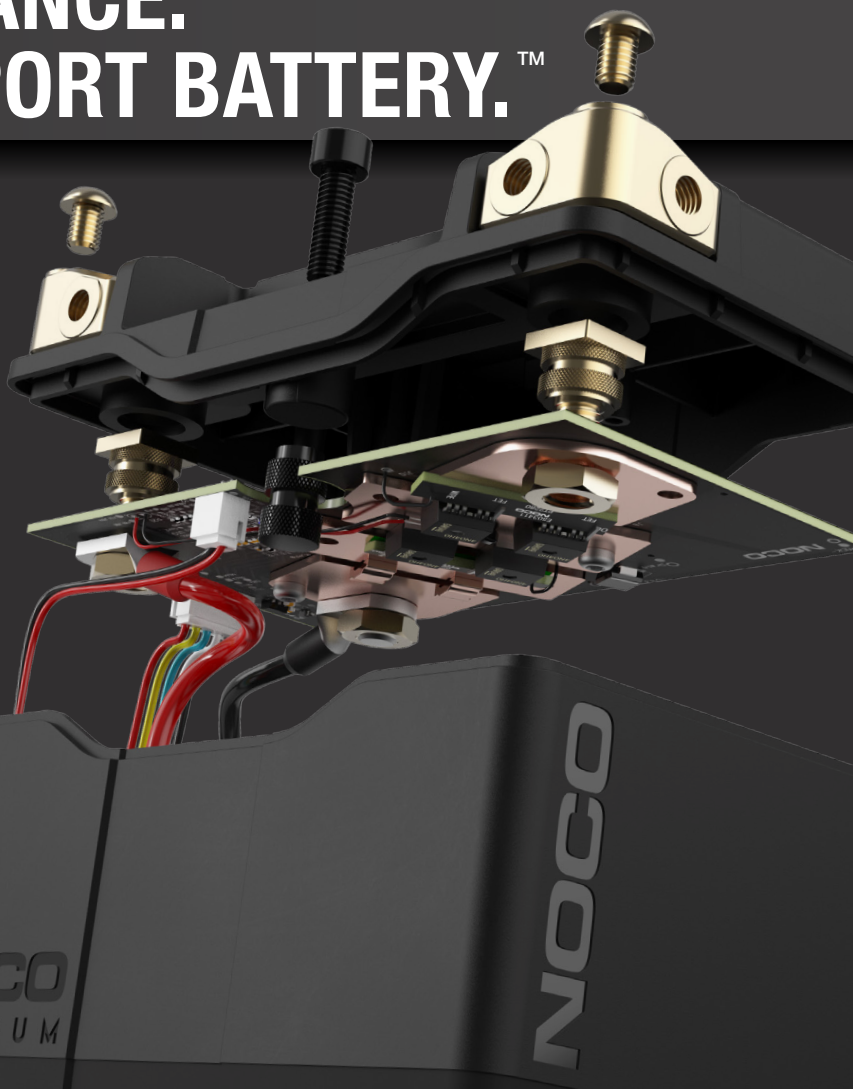
Equipped with an auto-enabled, advanced battery management system that provides maximum protection, performance, and bi-directional cell equalization for long-lasting stability. No BMS reset needed.

## ACTIVE PROTECTION.

Protects against over-charge, extreme-heat, short-circuit, over-discharge, extreme-cold, and over-current.

## SHOCK ABSORPTION.

Designed with a custom rubber dampening base and foam inserts to extend the life of the battery and keep connections secure.



**NOCO**

30339 Diamond Parkway, #102  
Glenwillow, OH 44139 | USA  
1.800.456.6626

no.co

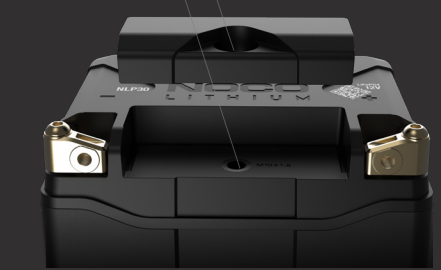
**NOCO**  
LITHIUM

**NOCO**

## UNIVERSAL MOUNTING.

Modular spacers can be added to alter the size and allow the battery to be safely and securely mounted. A removable mounting block allows the battery to fit more applications. The threaded insert enables direct-mounting for additional simplicity and security.

Removable Mounting Block  
Threaded Insert  
M10-1.5 Thread Size.



FEMALE.



SIDE.



TOP.



FRONT.



## MULTI-CONNECTION TERMINALS.

Equipped with premium IP66 waterproof copper PCB plates. NLP Terminals can be mounted from the front, side, or top, and can be removed altogether depending on the application.



## RAPID RECHARGE.

Use the Lithium mode on a Genius charger to fully recharge an NLP battery in minutes. See Genius models and charging times below.

## COMPATABLE SIZES.

### BCI SIZES

BTX30L-BS  
BTX30L

### YUASA SIZES

GYZ32HL  
YIX30L

### ETX SIZES

ETX30L



NLP30 Battery

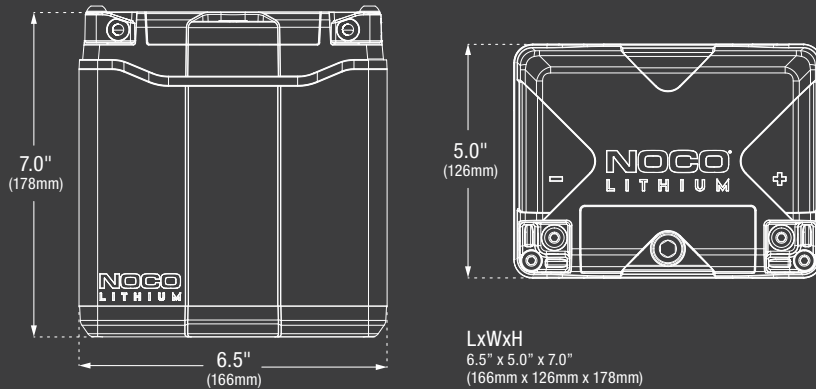
## RECHARGE TIME

GENIUS1	480 Minutes
GENIUS2	240 Minutes
GENIUS5	96 Minutes
GENIUS10	48 Minutes

## TECHNICAL SPECIFICATIONS

BCI SIZE:	30
CHEMISTRY:	Lithium Iron Phosphate (LiFePO4)
NOMINAL VOLTAGE:	12.8
AMP-HOURS:	7.8
WATT-HOURS (WH):	99.84
STARTING CURRENT:	700
CHARGING VOLTAGE (V):	14.6V
CHARGING CURRENT (A):	24A (Max)
OPERATING TEMPERATURE:	-20°C to 60°C
CHARGING TEMPERATURE:	-10°C to 50°C
STORAGE TEMPERATURE:	-20°C to 60°C
WEIGHT:	5.0 lbs (2.27kg)
VOLUMETRICS:	<p><b>Retail Packaging:</b> Dimensions: 6.81" x 5.20" x 8.39" Weight: 6.09 lbs. UPC: 0-46221-19011-3</p> <p><b>Master Carton:</b> Dimensions: 14.49" x 8.82" x 12.09" Weight: 26.16 lbs Quantity: 4 UCG: 10046221190110</p> <p><b>Inner Carton:</b> Dimensions: 8.54" x 7.0" x 5.67" Weight: 6.33 lbs</p>

## WHAT'S IN THE BOX



LxWxH  
6.5" x 5.0" x 7.0"  
(166mm x 126mm x 178mm)

\*Accessories not to scale with NLP30

M6 Hex Screw  
1mm x 8mm



M10 Hex Screw  
1.5mm x 20mm



M6 Hex Screw  
1mm x 10mm



User Guide



Hex Key



**NOCO**

30339 Diamond Parkway, #102  
Glenwillow, OH 44139 | USA  
1.800.456.6626

no.co

